

Operation Manual

(Galaxy Hero Manual GS-302M)

Safety Instructions

**When using your heat press,
basic precautions should always be followed,
including the following:**

1. Read all instructions.
2. Use heat press only for its intended use.
3. To reduce the risk of electric shock, do not immerse the heat press in water or other liquids.
4. Never pull cord to disconnect from outlet, instead grasp plug and pull to disconnect.
5. Do not allow cord to touch hot surfaces, allow heat press to cool completely before storing.
6. Do not operate heat press with a damaged cord or if the equipment has been dropped or damaged. To reduce the risk of electric shock, do not disassemble or attempt to repair the heat press. Take it to a qualified service person for examination and repair. Incorrect assembly or repair could increase the risk of fire, electric shock, or injury to persons when the equipment is used.
7. This appliance is not intended for use by persons (including children) with reduced physical, sensory or mental capabilities, or lack of experience and knowledge, unless they have been given supervision or instruction concerning use of the appliance by a person responsible for their safety.
8. Close supervision is necessary for any heat press being used by or near children. Do not leave equipment unattended while connected.
9. Burns can occur when touching hot metal parts.
10. To reduce the likelihood of circuit overload, do not operate other high voltage equipment on the same circuit.
11. If an extension cord is necessary, then a 20 amperage rated cord should be used. Cords rated for less amperage may overheat. Care should be taken to arrange the cord so that it cannot be pulled or tripped over.

Table Of Contents

Safety Instructions.....	1
Technical Parameters.....	3
Machine View.....	4
Control Panel Guide.....	5
Operating Instructions.....	6-9
● Connecting the System.....	6
● Turning the System On.....	6
● Adjusting the Temperature.....	7
● Adjusting the Time.....	7
● Adjusting the Pressure.....	8
● Printing and Pressing.....	9

Technical Parameters

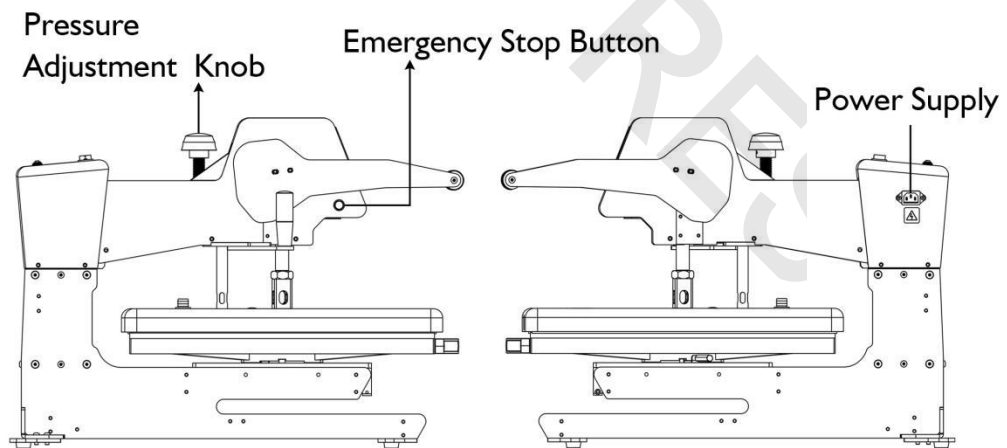
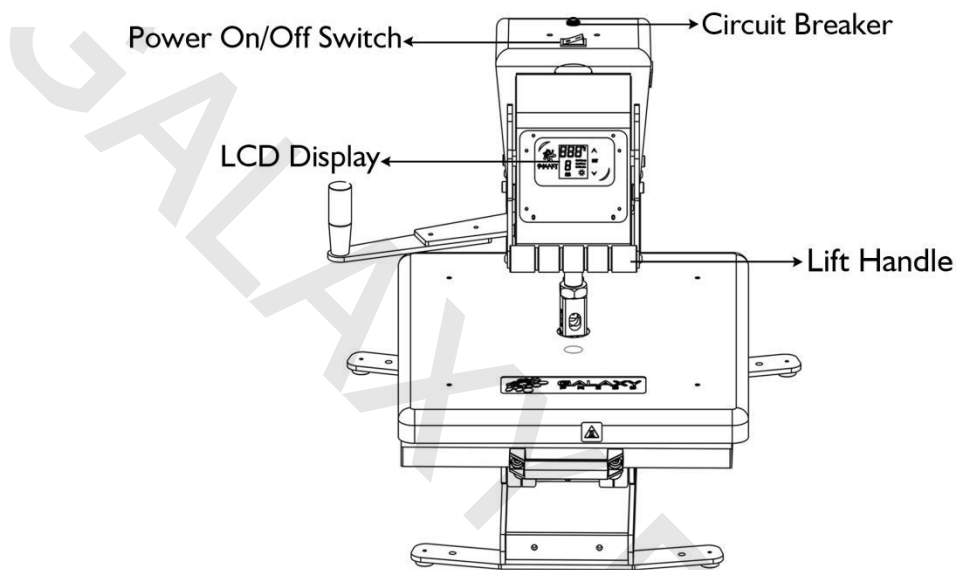
Model:	GS-302M-1620
Heater Size:	16"×20" (406×508mm)
Pressure Display:	Yes
Auto Open:	No
Slide-out Lower Platen:	Yes
Power(120volt)	1800W/16.4Amps
Power(240volt)	1800W/8.2Amps
Temperature Range:	Max.221 °C/430°F
Heating Up Time (180°C)	20minutes
Time Range:	0~999S
Way To Change Lower Platen:	"Ramlock" quick change system
Machine Size:	75×56×54cm
Packing Size:	89×65×64cm
Packing Weight:	85kg
Certificate:	FCC CE
Warranty	10 years for heat platen. One year for machine

Available Extra Lower Platen

LP-0404-B-S (4"×4")	Perfect for small items, youth apparel, and garments that have buttons, zippers, and seams in close proximity.
LP-1115-B-S(11"×15")	Most Valuable Platen. Easily decorate youth and women's size garments.
LP-0810-B-S (8"×10")	Heat print onto totes and polypropylene shopping bags. Slide bag onto the platen for efficient heat printing on both sides.
LP-0620-B-S(6"×20")	Decorate sleeves, pant legs, and youth size garments with ease.
LP-0610-B-S(6"×10")	Use for creating custom left chest logos without damaging seams, buttons, or zippers.
LP-Dia5-B-S(5"round)	Personalize the ends of duffle bags, sides of gym bags, and backpacks.
LP-1515-B-S(15"×15")	Standard size ,normally used in the market

Machine View

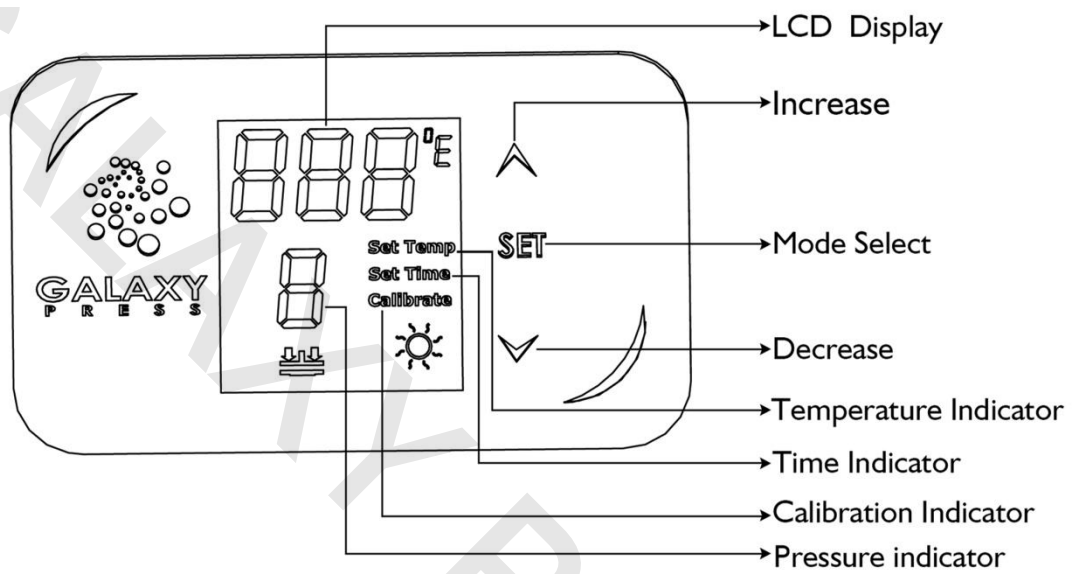
FRONT VIEW(GS-302)



Side View-1

Side View-2

Control Panel Guide



Operation Instructions

Connecting the System

1. CONNECT THE POWER CORD

1.1 Connect the power cord into a properly grounded electrical outlet with a sufficient amperage rating.

- **VOLTAGE**

120 Volt – The Galaxy Hero GS-301 requires a full 20 amp grounded circuit for 120 volt operation.

240 Volt – The Galaxy Hero GS-301 requires a full 10 amp grounded circuit for 240 volt operation.

- **EXTENSION CORDS** If used, should be as short as possible and not less than 12 gauge. Heavy duty cords are recommended.
- **CIRCUITS** that have less than 15 amps or that have other high demand equipment or appliances (especially more than one heat seal machine) plugged in, should not be used.

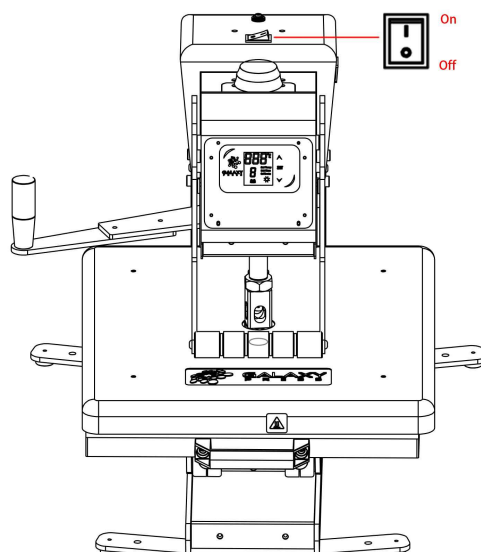
NOTE: If the supply cord is damaged, it must be replaced by the manufacturer, its service agent or a similarly qualified person in order to avoid hazard.

CAUTION Failure to follow these instructions will cause:

- 1) Erratic controller functions.
- 2) Inaccurate displays and slow heat-up.
- 3) The circuit breaker to disengage.

Turn On the System

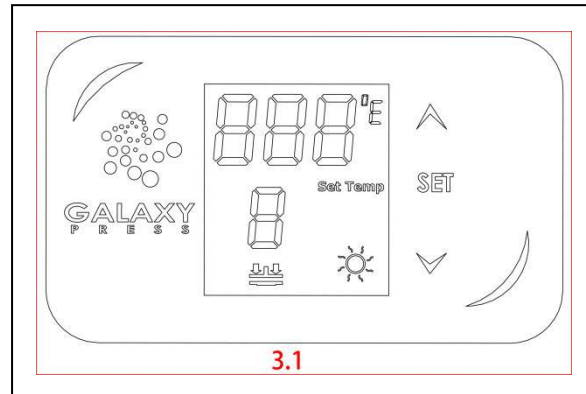
2. Switch The System On



Adjusting the Temperature

3. ADJUST THE TEMPERATURE

3.1 Press the Mode Select button located in the center of the Control Panel. "Set Temp" lights located in the display will illuminate indicating you are in the adjust temperature mode.(figure 3.1)

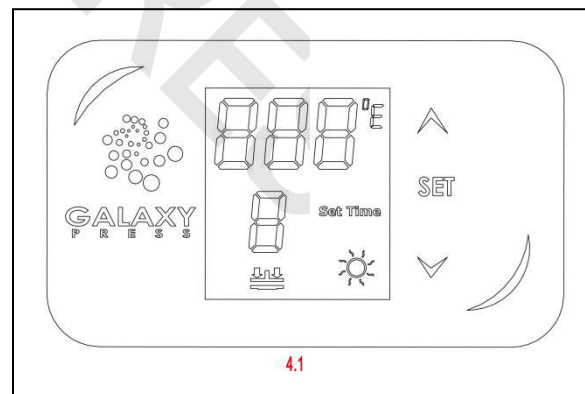


3.2 Next, press the (-) button located to the bottom of the Mode Select button to lower the temperature setting, or press the (+) button located to top of the Mode Select button to raise the temperature setting. The temperature can be set from 170° F (76° C) to 430° F (220° C).

Adjusting the Time

4. ADJUST THE TIME

4.1 Once you have adjusted the temperature, press the Mode Select button again. "Set Time" lights located in the display will illuminate indicating you are in the adjust time mode.(figure 4.1)



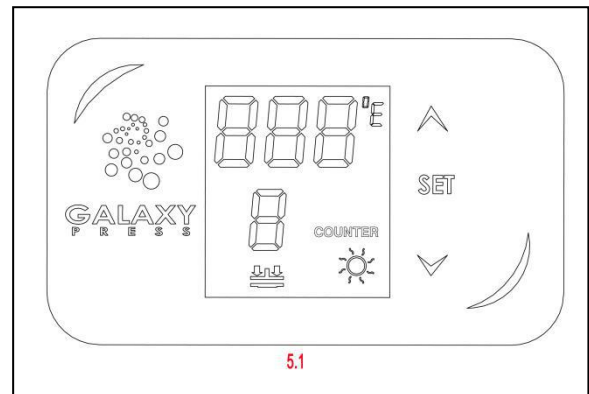
4.2 Next, press the (-) button located to the bottom of the Mode Select button to lower the value, or press the (+) button located to top of the Mode Select button to raise the time value. The time setting range can be set from 0~999.

Counter setting

5. COUNTER SETTING

5.1 Once you have adjusted the time, press the Mode Select button again. "Counter" lights located in the display will illuminate indicating you are in the counter setting mode.(figure 5.1)

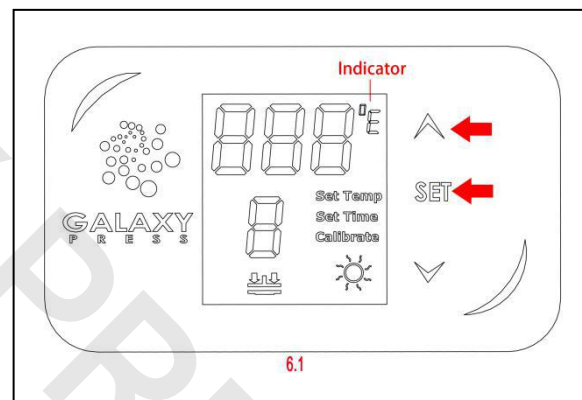
5.2 Next, press the (-) button to lower the value ,or press the (+) button to raise the value .The counter setting range can be set from 0~999.



Switch Between F/C

6.Switch Between F/C

6.1 Press the (+) button and model select button together and hold for 3 seconds to switch between Fahrenheit and Celsius. F/C indicator in display will show the result. (fig.6.1)

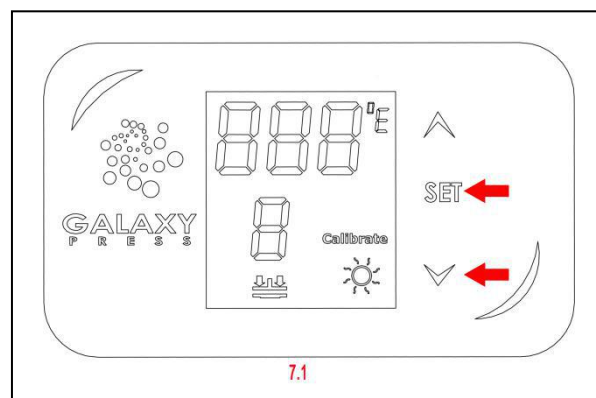


Temperature Calibration

7.Temperature Calibration

7.1 Press the (-) button and model select button together and hold for 3 seconds, "Calibrate" lights located in the display will illuminate indicating you are in the adjust temperature calibration mode. (fig.7.1)

7.2 Press (-) button and (+) button to set correct temperature value. Press model select button to quit.



Adjusting the Pressure

8. ADJUST THE PRESSURE

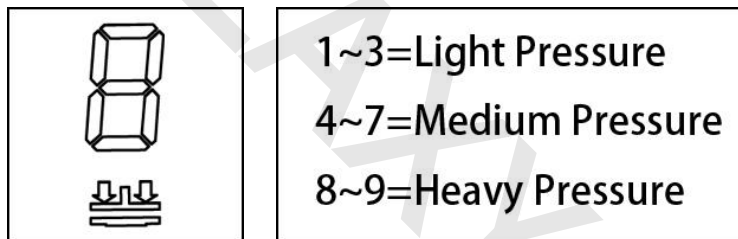
8.1 First, locate the LED Display on the Press.(See figure 1)

- The Pressure Adjustment Knob is located in the center of the heat platen(See figure 2)

8.2 Adjust the pressure by turning the knob clockwise to increase pressure and counter clockwise to decrease pressure.

PRESSURE READOUT

A visual Pressure Readout is located on the lower right side of the LCD Display. When the handle is locked into the Print Position, a pressure number will be displayed. Readout will be on a scale of 0 - 9. A 0 Pressure readout would indicate no pressure at all and 9 would indicate very heavy pressure.(See figure 1)



8.3 To adjust the Pressure, simply turn the Pressure Adjustment Knob to the right or clockwise to increase the Pressure and to the left or counter clockwise to decrease the Pressure. The readout will display the Pressure when locked down in the print position.

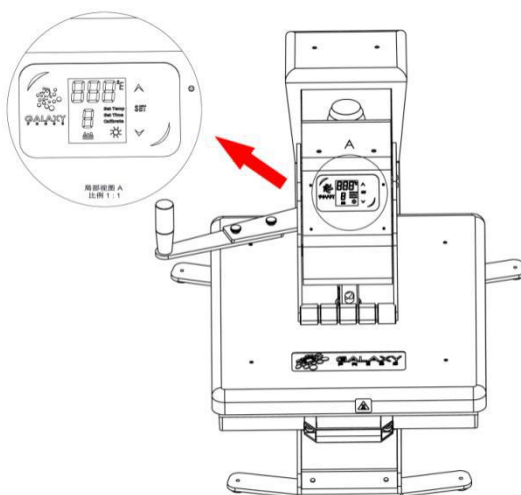


Figure 1

Pressure Adjustment Knob

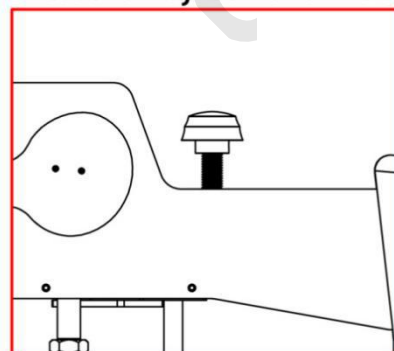


Figure 2

REMEMBER: To allow for the thickness of your garment when adjusting the pressure.

Printing And Pressing

9.PRESS

- Once your equipment has reached the designated temperature:

9.1 Position the garment and application and proceed to press.

9.2 Lower and lock the heat platen into the press position. This procedure will start the automatic timing process.

- The timer will automatically count down and lift the heat platen into the “UP” position when the press cycle is complete.

NOTE: Please be aware after time is complete, gas shocks will automatically release the platen into the “UP” position.

- The time will automatically re-set and you are ready to continue with the next application.