

# Operation Manual

(GS-603)

## Safety Instructions

**When using your heat press,  
basic precautions should always be followed,  
including the following:**

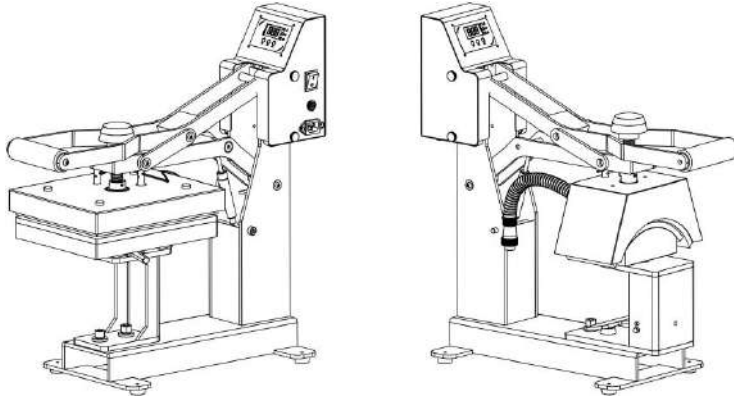
1. Read all instructions.
2. Use heat press only for its intended use.
3. To reduce the risk of electric shock, do not immerse the heat press in water or other liquids.
4. Never pull cord to disconnect from outlet, instead grasp plug and pull to disconnect.
5. Do not allow cord to touch hot surfaces, allow heat press to cool completely before storing.
6. Do not operate heat press with a damaged cord or if the equipment has been dropped or damaged. To reduce the risk of electric shock, do not disassemble or attempt to repair the heat press. Take it to a qualified service person for examination and repair. Incorrect assembly or repair could increase the risk of fire, electric shock, or injury to persons when the equipment is used.
7. This appliance is not intended for use by persons (including children) with reduced physical, sensory or mental capabilities, or lack of experience and knowledge, unless they have been given supervision or instruction concerning use of the appliance by a person responsible for their safety.
8. Close supervision is necessary for any heat press being used by or near children. Do not leave equipment unattended while connected.
9. Burns can occur when touching hot metal parts.
10. To reduce the likelihood of circuit overload, do not operate other high voltage equipment on the same circuit.
11. If an extension cord is necessary, then a 20 amperage rated cord should be used. Cords rated for less amperage may overheat. Care should be taken to arrange the cord so that it cannot be pulled or tripped over.

# Table Of Contents

Safety Instructions.....	1
Technical Parameters.....	3
Machine View.....	4
Control Panel Guide.....	5
Operating Instructions.....	6-14
1 Assemble the machine.....	6-7
2 Connecting the System.....	8
3 Turning the System On.....	8
4 Adjusting the Temperature.....	9
5 Adjusting the Time.....	9
6 Adjusting the Pressure.....	9
7 Printing and Pressing.....	10
8 Switch Between F/C.....	10
9 Temperature Clibration.....	11
Exploded Views And Parts List.....	12-18
Electrical Schematic.....	19-20

## Technical Parameters

---

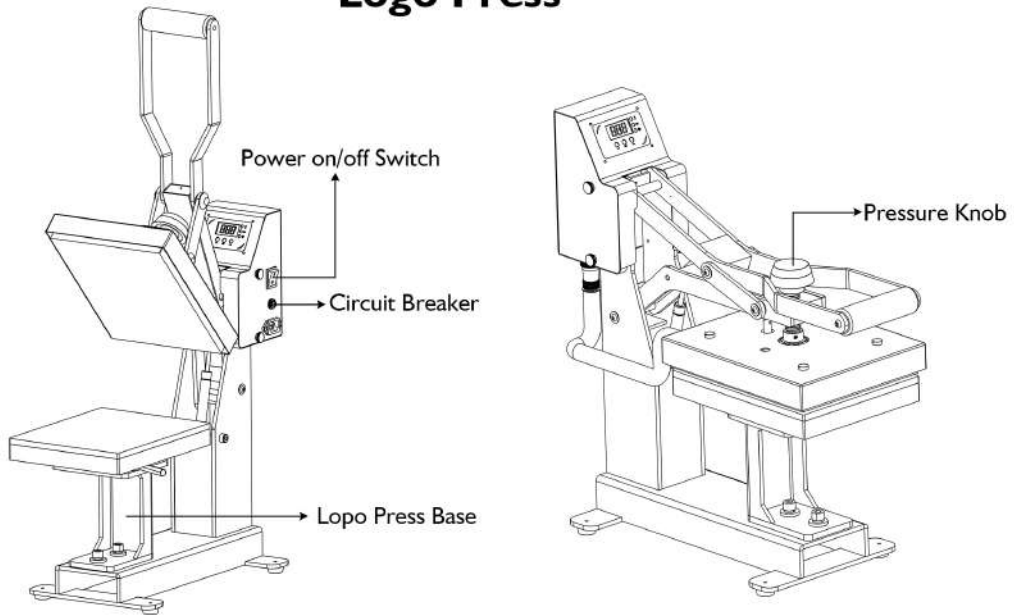


Model:	GS-603
Heater Size:	08" × 10" (203 × 254mm) 3.5" × 6.5" (cap heater)
Lower Platen Size	08" × 10" (203 × 254mm) 3.5" × 6.5" (cap printing use)
Power(120volt)	Logo Press-700W/6.4Amps Cap Press-500W/3.2Amps
Power(240volt)	Logo Press-700W/6.4Amps Cap Press-500W/3.2Amps
Temperature Range:	Max.221°C/430°F
Time Range:	0~999S
Packing Size:	Packing 1: 54.8 × 46.2 × 51.2cm
Packing Weight:	Packing1: 31.2kg
Certificate:	FCC/CE
Warranty:	Five years on heat platen, one year on whole machine.

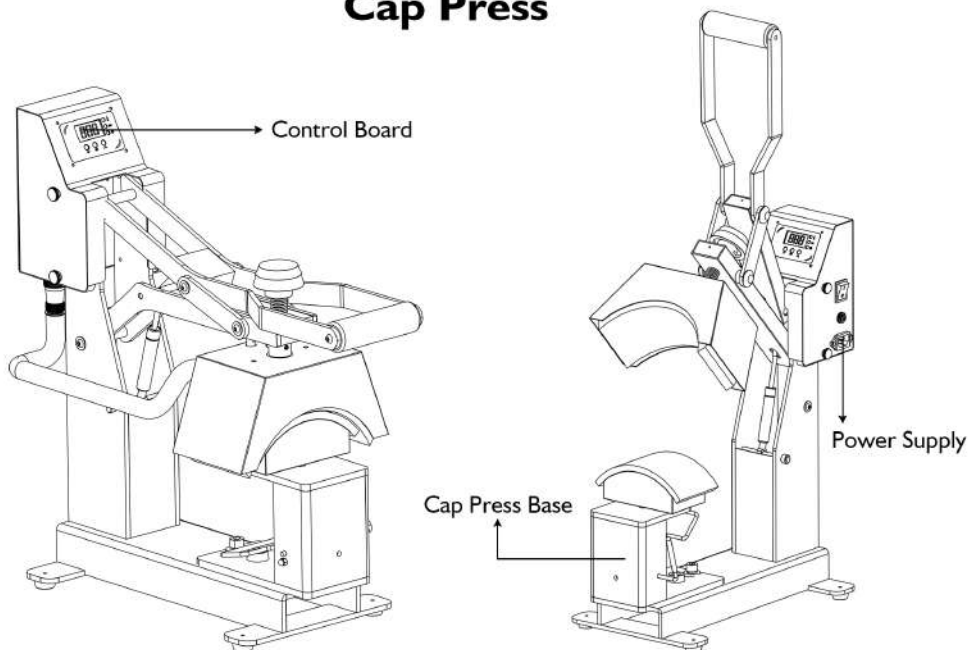
# Machine View

---

## Logo Press

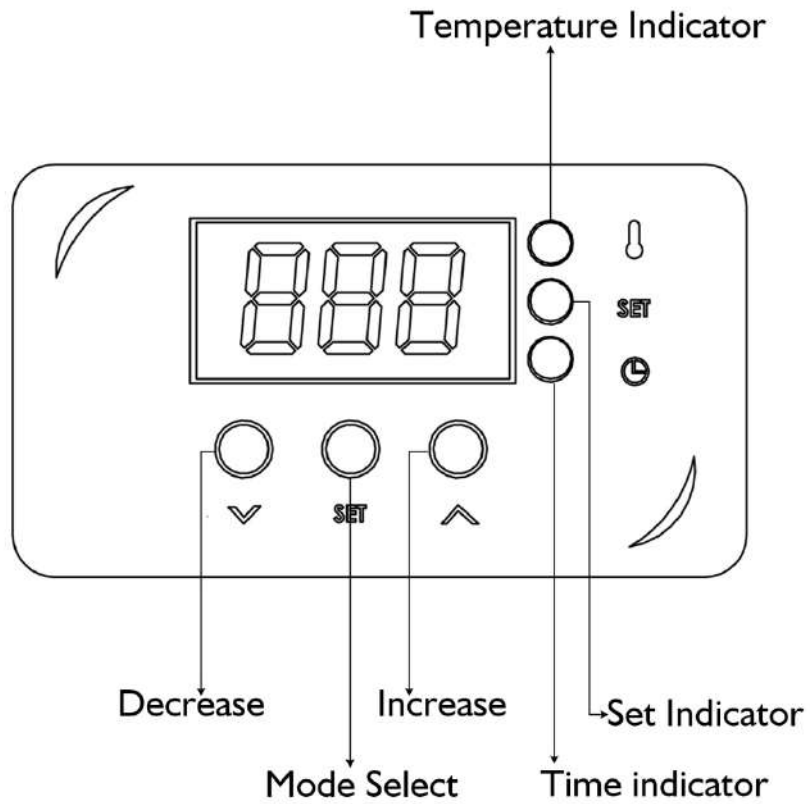


## Cap Press



# Control Panel Guide

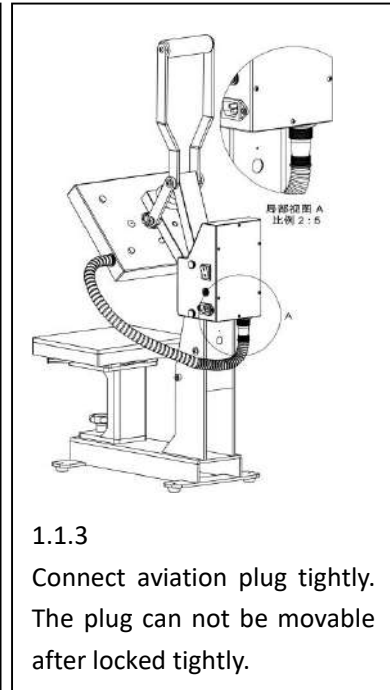
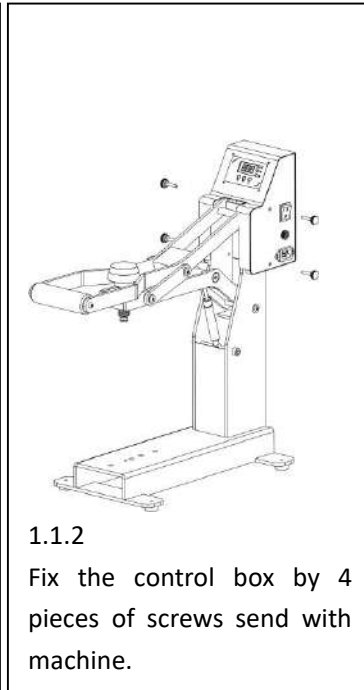
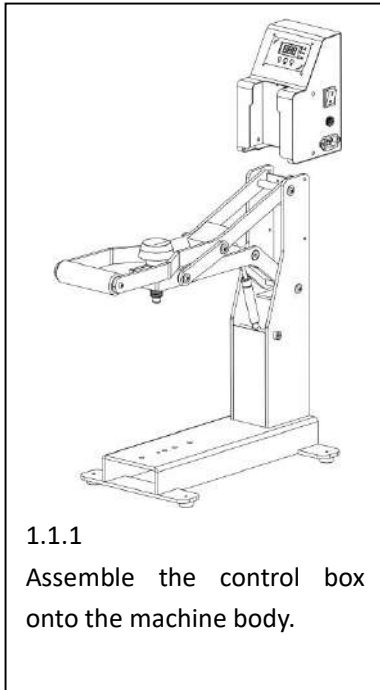
---



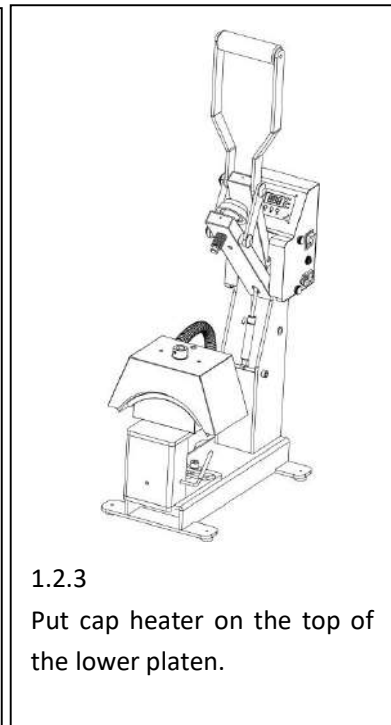
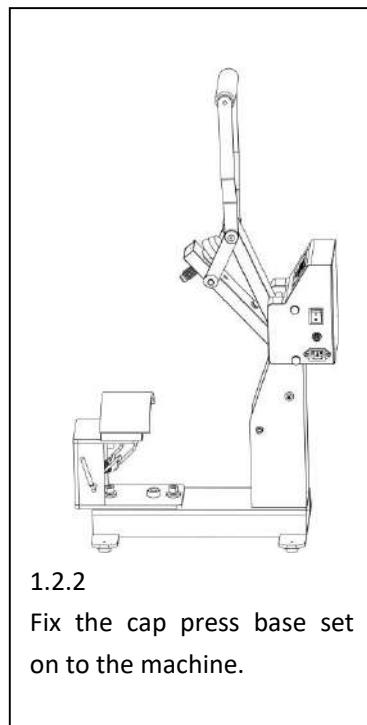
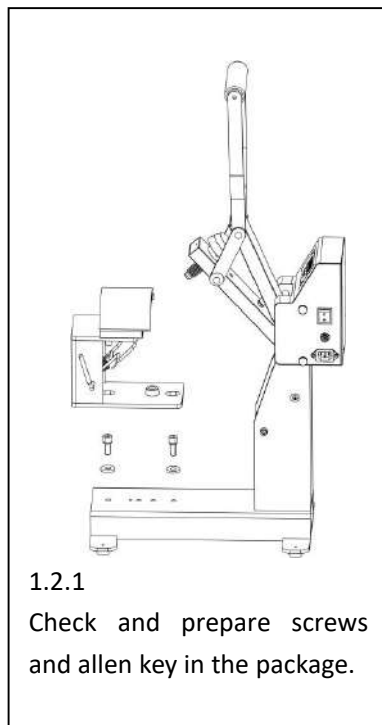
# Operation Instructions

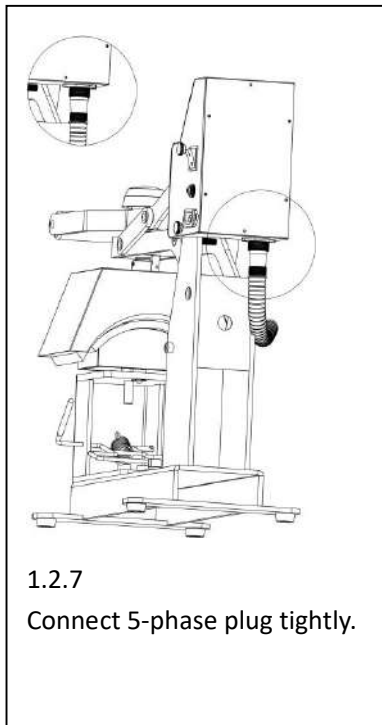
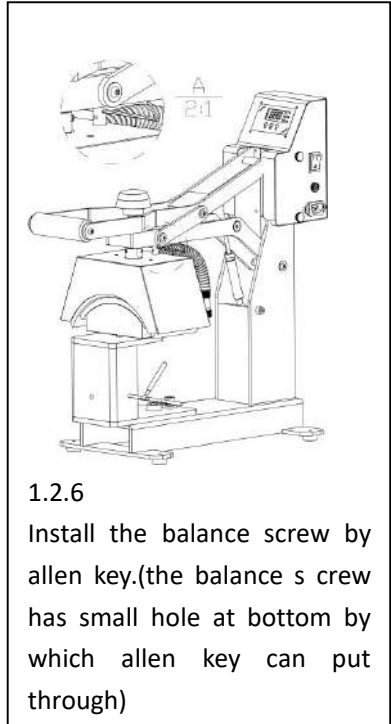
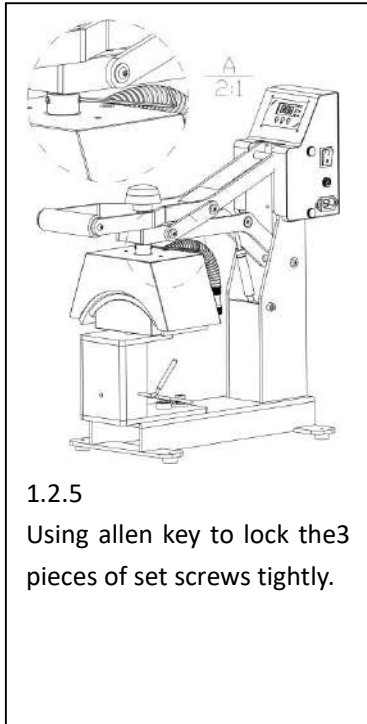
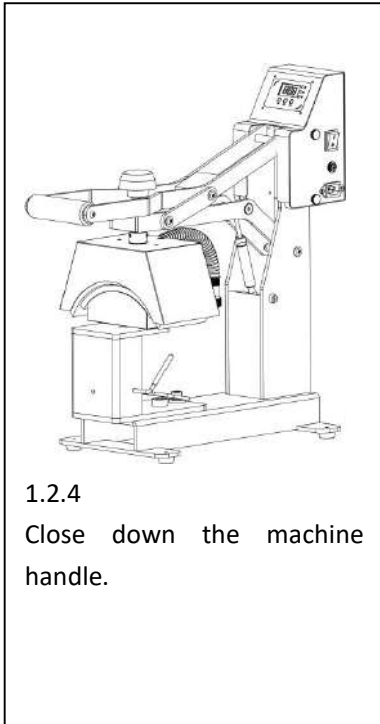
## 1. Assemble The Machine

### 1.1 How to Assembly Control Box



### 1.2 How to install heat platen and lower platen.(same process for both cap press and logo press)





## 2.Connecting the System

**2.1** Connect the power cord into a properly grounded electrical outlet with a sufficient amperage rating.

### **2.2 VOLTAGE**

120 Volt – The GS-602 requires a full 20 amp grounded circuit for 120 volt operation.

240 Volt –The GS-602 requires a full 10 amp grounded circuit for 240 volt operation.

**2.3 EXTENSION CORDS** If used, should be as short as possible and not less than 12 gauge. Heavy duty cords are recommended.

**2.4 CIRCUITS** that have less than 15 amps or that have other high demand equipment or appliances(especially more than one heat seal machine) plugged in, should not be used.

**NOTE:** If the supply cord is damaged, it must be replaced by the manufacturer, its service agent or a similarly qualified person in order to avoid hazard.

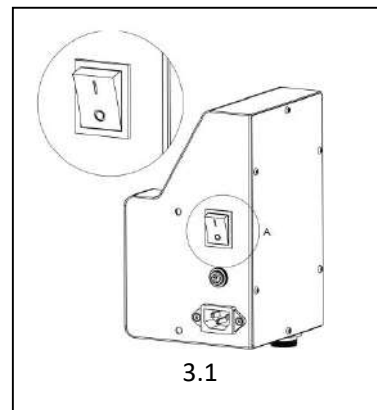
### **CAUTION :**

Failure to follow these instructions will cause:

- 1) Erratic controller functions.
- 2) Inaccurate displays and slow heat-up.
- 3) The circuit breaker to disengage.

## 3.Turn On the System

3.1 Switch The System On(figure3.1)

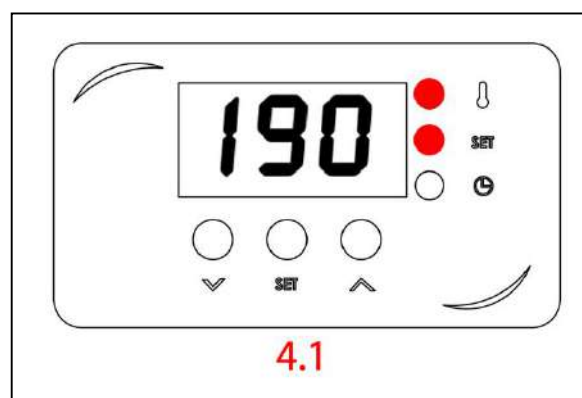




## 4.Adjusting the Temperature

4.1 Press the Mode Select button located in the center of the Control Panel.  
“Temp” lights and “set” lights located in the display will illuminate indicating you are in the adjust temperature mode.(see figure 4.1)

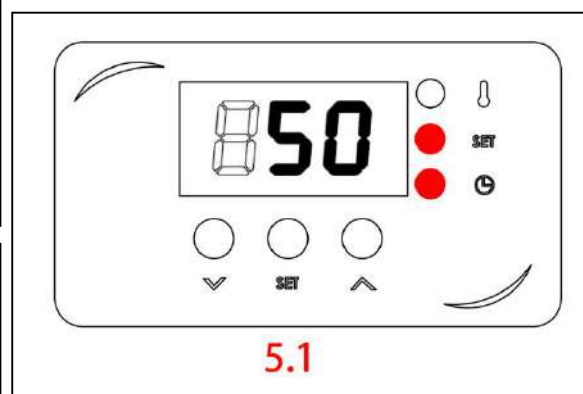
4.2 Next, press the (-) button located to the bottom of the Mode Select button to lower the temperature setting,or press the (+) button located to top of the Mode Select button to raise the temperature setting.The temperature can be set from 0° F (0° C) to 430° F (221° C).



## 5.Adjusting the Time

5.1 Once you have adjusted the temperature, press the Mode Select button again.  
“Time” lights and “set” lights located in the display will illuminate indicating you are in the adjust time mode. (see figure 5.1)

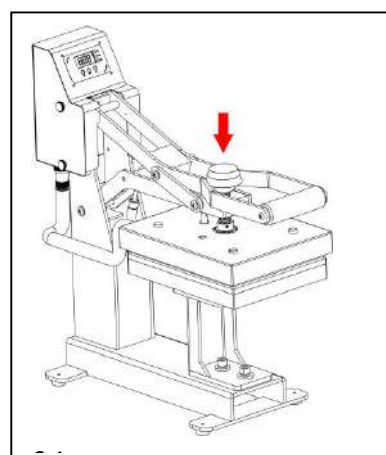
5.2 Next, press the (-) button located to the bottom of the Mode Select button to lower the value ,or press the (+) button located to top of the Mode Select button to raise the time value .The time setting range can be set from 0~999.



## 6.Adjusting the Pressure

6.1 The Pressure Adjustment Knob is located in the center of the heat platen(See figure 6.1)

6.2 Adjust the pressure by turning the knob clockwise to increase pressure and counter clockwise to decrease pressure.



**REMEMBER:** To allow for the thickness of your garment when adjusting the pressure.

## 7. Printing And Pressing

- Once your equipment has reached the designated temperature:
- Position the garment and application and proceed to press. Lower and lock the heat platen into the press position.
- This procedure will start the automatic timing process.

- The timer will automatically count down and lift the heat platen into the “UP” position when the press cycle is complete.
- The time will automatically re-set and you are ready to continue with the next application.

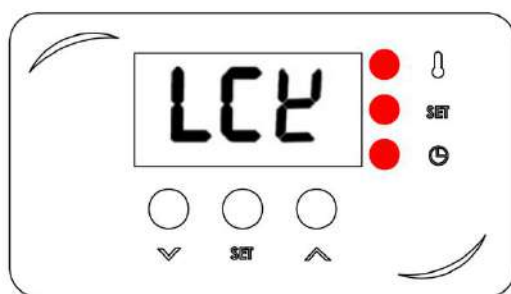
## 8. Switch Between F/C

8.1 Press and hold “(-)” and “(+)” button then press “set” button, display shows LCK (See figure 8.1)

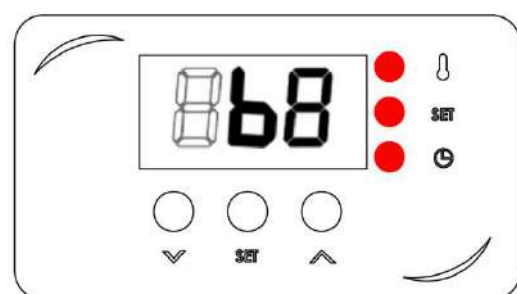
8.2 Input 68 to enter into second level menu (See figure 8.2)

8.3 Press “set” button to select “ctr” mode (See figure 8.3), press up and down button to set value at 0 or 1, 0 for celsius, 1 for Fahrenheit (see figure 8.4)

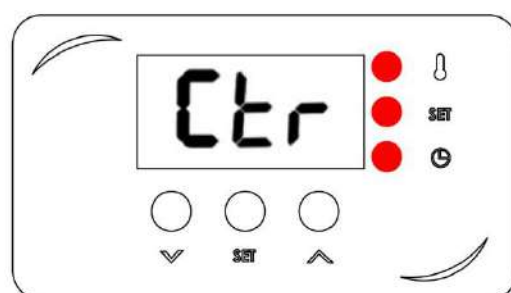
8.4 Press “set” button 4 seconds to quit.



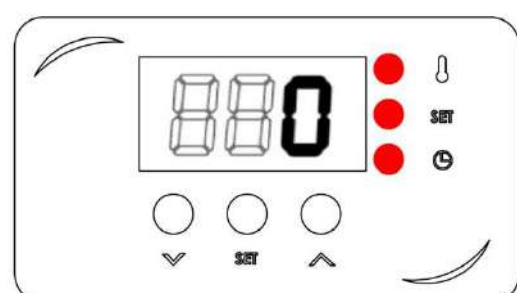
8.1



8.2



8.3



8.4

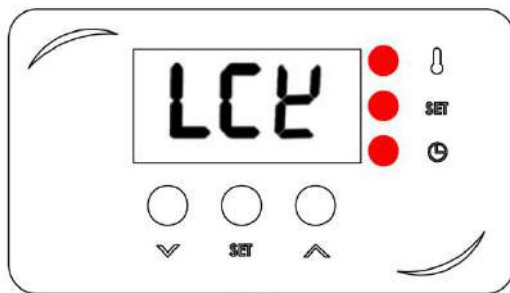
## 9. Temperature Calibration

9.1 Press and hold “(-)”and“(+)”button then press “set” button, display shows LCK  
(See figure 9.1)

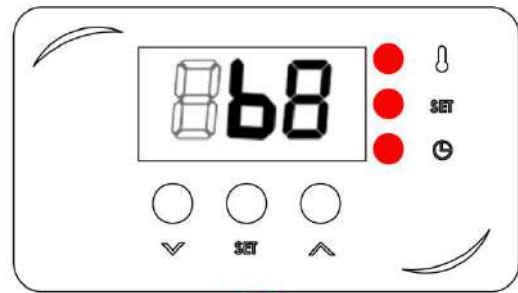
9.2 Input 68 to enter into second level menu  
(See figure 9.2)

9.3 Press “set” button to select “Pb” mode(See figure 9.3) press up and down button to make temperature calibration  
(See figure 9.4)

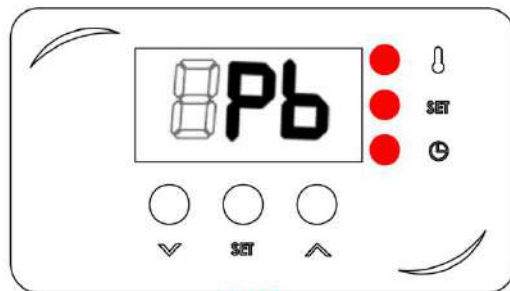
9.4 Press “set” button 4 seconds to quit.



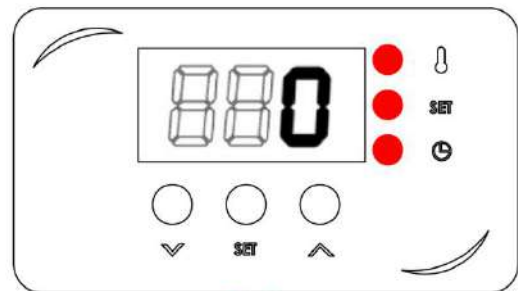
9.1



9.2



9.3



9.4

if temperature on heat platen is higher than circuit board shows,pls lower the Pb value.

Example:

Heat platen temperature:190C

Circuit board temperature:185C

Pls set Pb Value at ( -5 )

if temperature on heat platen is lower than circuit board shows,pls raise the Pb value.

Example:

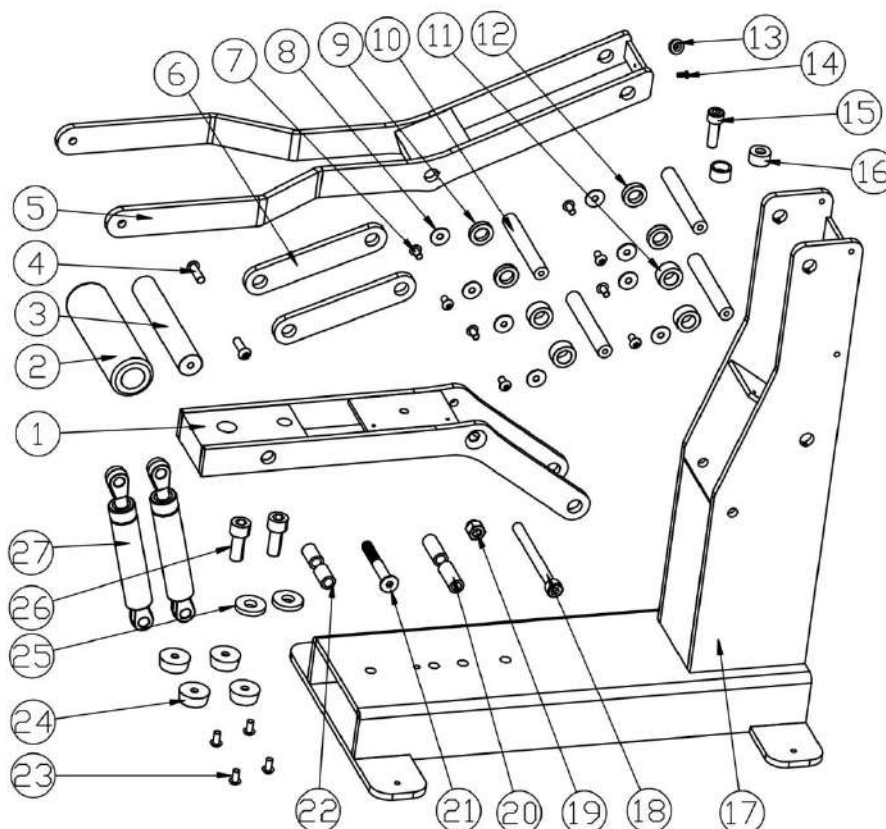
Heat platen temperature:185C

Circuit board temperature:190C

Pls set Pb Value at ( +5 )

# Exploded Views And Parts List

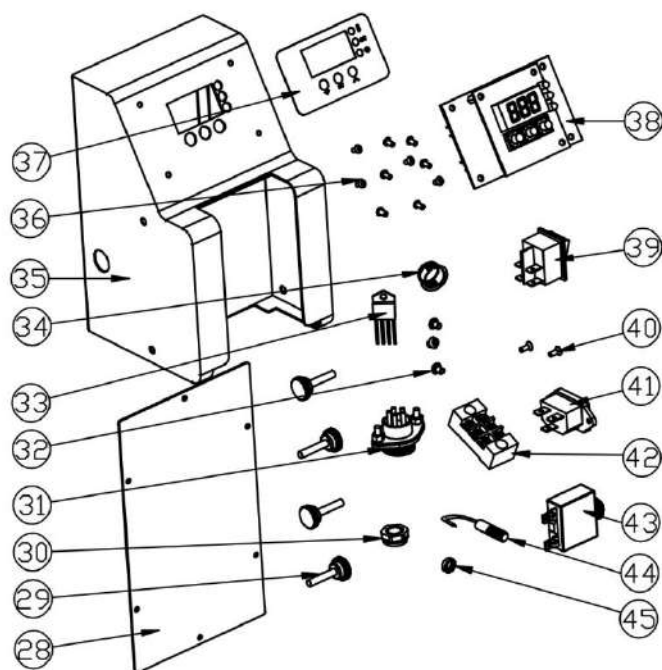
## 10.1.Machine Body



NO.	Material No.	Name(Chinese)	Name(English)	Qty	Remark
1	J.03.05.0192	吊臂支架-黑 NPA-04-B	Adjustment arm assembly -black	1	
	J.03.05.0584	吊臂支架-银 NPA-04	Adjustment arm assembly -silver	1	
2	J.03.03.0016	手柄轴胶套（内径 19*T5*123mm） TB-112	Foam grip	1	
3	J.02.05.0013	手柄轴（ $\phi 20*118$ ） TB-35	Handle shaft	1	
4	J.03.06.0171	半圆头螺栓 M6*20	Ball headed bolt M6*20	2	
5	J.03.05.0196	手柄支架-黑 NPA-31-B	Handle assembly black	1	
	J.03.05.0585	手柄支架-银 NPA-31	Handle assembly silver	1	
6	J.03.05.0211	摇臂连-黑 NPA-42-B	Bridge link black	2	
	J.03.05.0587	摇臂连杆-银 NPA-42	Bridge link silver	2	
7	J.03.06.0165	半圆头螺栓 M5*12	Ball headed bolt M5*12	8	

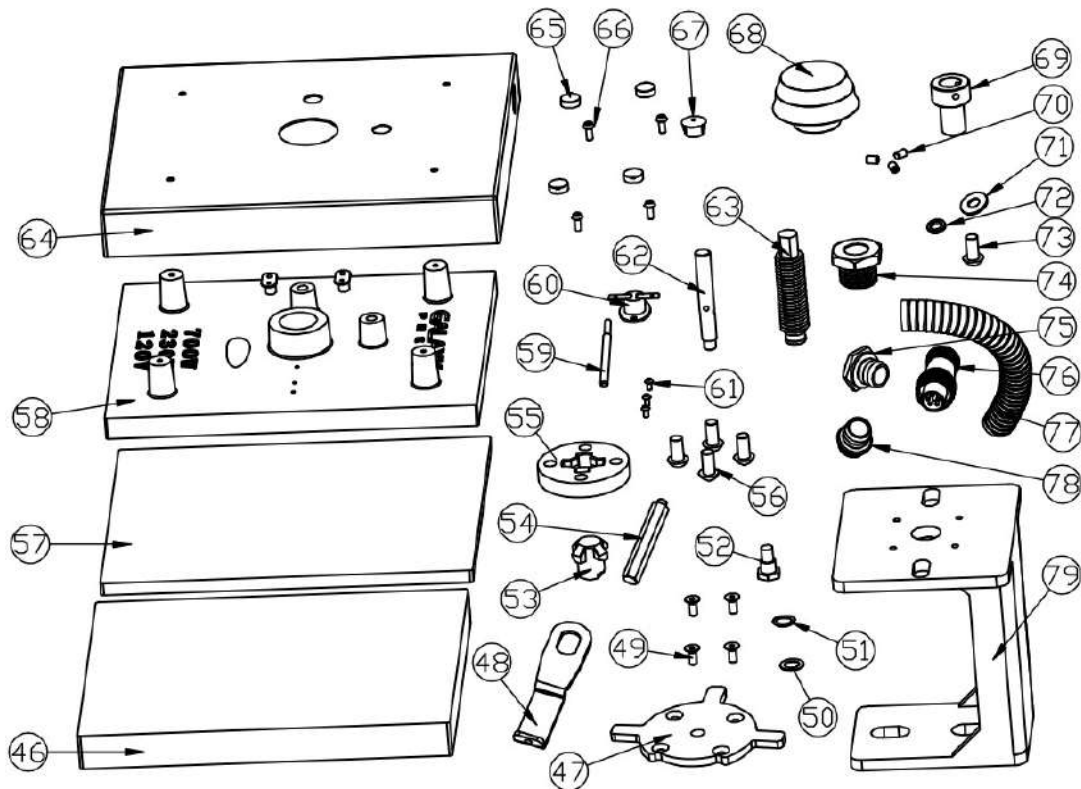
8	J.03.06.0062	平垫 16*6*2	Washer 16*6*2	8	
9	J.03.03.0055	胶垫圈 20-13-4	Nylon washer 20-13-4	2	
10	J.02.05.0025	柱栓 12-82	Steel pin 12082	4	
11	J.03.03.0067	胶垫圈 20-13-9.5 WSH-04-B	Nylon washer 20-13-9.5	4	
12	J.03.03.0077	胶垫圈 20*13*5	Nylon washer 20-13-5	2	
13	J.03.06.0023	M3 沉孔磁铁 12*3	Magnet M3	1	
14	J.03.06.0077	沉头螺栓 M3*8	Countersunk screw M3*8	1	
15	J.03.06.0084	杯头螺栓 M8*25	Cup head botl M8*25	1	
16	J.03.03.0058	限位胶垫 GC1-12L	Nylon washer	2	
17	J.03.05.0194	机架-黑 NPA-11-B	Machine body black	1	
	J.03.05.0581	机架-银 NPA-11	Machine body silver	1	
18	J.03.06.0022	杯头螺栓 M8*90	Cup head botl M8*90	1	
19	J.03.06.0086	盖形螺帽 M8	Nut M8	1	
20	J.04.04.0033	气管 12-8-29	Nylon washer 12-8-29	0.06M	
21	J.03.06.0027	沉头螺栓 M8*60	Countersunk screw M8*60	1	
22	J.04.04.0033	气管 12-8-19	Nylon washer 12-8-29	0.04M	
23	J.03.06.0103	半圆头螺栓 M5*10	Ball headed bolt M5*10	4	
24	J.03.03.0037	脚垫 XD2512-148	Rubber foot	4	
25	J.03.06.0131	平垫-银 10*25*2	Washer 10*25*2	2	
26	J.03.06.0150	杯头螺栓 M10*20	Cup head botl M10*20	2	
27	J.03.06.0189	阻尼气弹簧 18-55-350N	Gas spring 18-55-350N	2	

## 10.2.Control box



NO.	Material No.	Name(Chinese)	Name(English)	Qty	Remark
28	J.03.05.0205	控制盒后盖板 NPA-20-LG	Control box cover green	1	
	J.03.05.0582	控制盒后盖板 NPA-20	Control box cover red	1	
29	J.03.06.0020	直纹把手 M5*25	Handle screw	4	
30	J.03.03.0022	璇入式塞头 M12-603	nut	1	
31	J.02.04.0094	航空插头 5 芯 (插座) 焊线 AT20-5TB-B-WD	5 phase plug female	1	
32	J.03.06.0141	半圆头螺栓 M4*6	Ball headed bolt M4*6	3	
	J.02.04.0131	可控硅 DX146-10	traic	1	
33	J.03.03.0023	扣式塞头 HP-16	Hole plug HP-16	1	
	J.03.05.0210	控制盒焊接 NPA-18-LG	Control box set green	1	
34	J.03.05.0583	控制盒焊接 NPA-18	Control box set red	1	
35	J.03.06.0104	半圆头螺栓 M3*6	Ball headed bolt M3*6	10	
36	J.03.01.0015	控制板面贴 EM-010	Control board sticker	1	
37	J.03.04.0140	控制板 GSK-H06	Control board GSK-H06	1	
38	J.03.04.0079	船型开关 RK1-01	Power on-off switch	1	
39	J.03.06.0077	沉头螺栓 M3*8	Countersunk screw M3*8	2	
40	J.03.04.0077	IEC 插座 DB-14-1	socket	1	
41	J.03.04.0078	双排三位栅栏接线排 TB1503L	Terminal block	1	
42	J.02.04.0139	过载保护器装线 10A L1100279508-00	Circuit breaker 10A	1	
43	J.03.04.0093	柱形门磁 (车牙加工) MC-0627	Magnet switch	1	
44	J.03.04.0094	柱形门磁专用螺母	Magnet switch nut	1	
	J.03.05.0205	控制盒后盖板 NPA-20-LG	Control box back cover green	1	
45	J.03.05.0582	控制盒后盖板 NPA-20	Control box back cover red	1	

### 10.3 8''\*10'' heat platen/lower platen/base

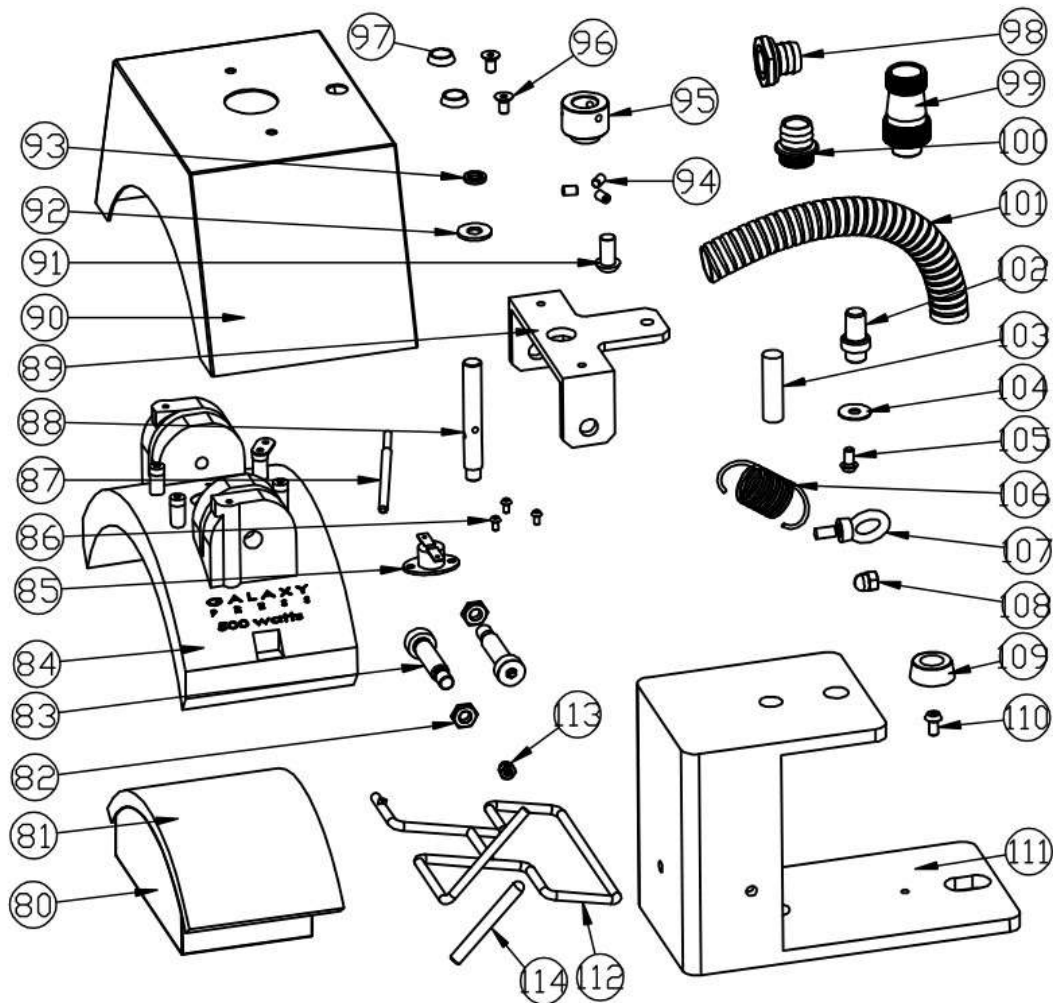


NO.	Material No.	Name(Chinese)	Name(English)	Qty	Remark
46	J.02.02.0017	底板 (RL) LP-0810-C-S	Lower platen LP-0810-C-S	1	
47	J.03.05.0124	嵌套底座 GH112	“ramlock” base part	1	
48	J.03.05.0125	嵌套锁扣 GH-113	“ramlock” locker part	1	
49	J.03.06.0170	沉头螺栓 M5*12	Countersunk screw M5*12	4	
50	J.03.06.0063	平垫 16*10*1	Washer 16-10-1	1	
51	J.03.06.0064	弹垫 15*10*0.3	Washer 15-10-0.3	2	
52	J.03.05.0392	轴杆锁定螺丝 GH-24	Screw GH-24-B	1	
53	J.03.05.0126	嵌套凸卡 GH-114	“ramlock” bottom part	1	
54	J.03.05.0122	嵌套手柄 GH-1131	“ramlock” locker handle	1	
55	J.03.05.0123	嵌套凹卡 GH-111	“Ramlock” top part	1	
56	J.03.06.0166	半圆头螺栓 M8*16	Steel pin 12082	4	
57	J.03.07.0017	硅胶垫 SP-0810-9-G	Nylon washer 20-13-9.5	1	
58	J.02.01.0002	发热板 HP-0810-A-S-220V	Nylon washer 20-13-5	1	
59	J.03.04.0076	热电阻 PT100	Magnet M3	1	
60	J.03.04.0062	突跳式温控器 TMS-01	Countersunk screw M3*8	1	
61	J.03.06.0104	半圆头螺栓 M3*6	Ball headed bolt M3*6	3	
62	J.03.06.0169	限位螺栓 M8*10*65	Balance screw	1	
63	J.03.06.0168	调节螺栓-公 GH-47C	Adjustment spindle(male)	1	
64	J.03.05.0199	发热板护罩 0810 NPA-06	Heat platen cover green	1	

	J.03.05.0586	发热板护罩 0810 NPA-06	Heat platen cover green	1	
65	J.03.03.0051	螺丝盖帽 SC-M4	Screw cover	4	
66	J.03.06.0117	半圆头螺栓 M4*10	Ball headed bolt M4*10	4	
67	J.03.03.0048	扣式塞头 HP-13	Hole plug HP-13	1	
68	J.03.05.0386	调压旋钮塑胶 PK-LG	Pressure adjust knob green	1	
	J.03.05.0387	调压旋钮塑胶 PK-R	Pressure adjust knob pink	1	
69	J.03.06.0167	调节螺栓-母 GH-47D	Adjustment spindle(female)	1	
70	J.03.06.0072	机米螺栓 M5*10	Screw M5*10	3	
71	J.03.06.0186	平垫 20*8*2	Washer 20-8-2	1	
72	J.03.06.0190	M8 弹垫	Washer M8	1	
73	J.03.06.0166	半圆头螺栓 M8*16	Ball headed bolt M8*16	1	
74	J.03.05.0382	紧固螺母 GC1-104	Adjustment spindle base	1	
75	J.03.05.0381	导管接头 GZ-101 (配螺母)	Tube connecter	1	
76	J.02.04.0093	航空插头 5 芯 (插头) 焊线 AT20-5TB-A-WD	5 phase plug(male)	1	
77	J.04.04.0006	PP 阻燃波纹管 $\Phi 17*21.2$	Plastic tube	0.59M	
78	J.03.05.0091	导管接头 B GZ-101B	Tube connecter	1	
79	J.03.05.0453	印台支撑连接板 B	Lower platen base black	1	
	J.03.05.0579	印台支撑连接板 B	Lower platen base silver	1	



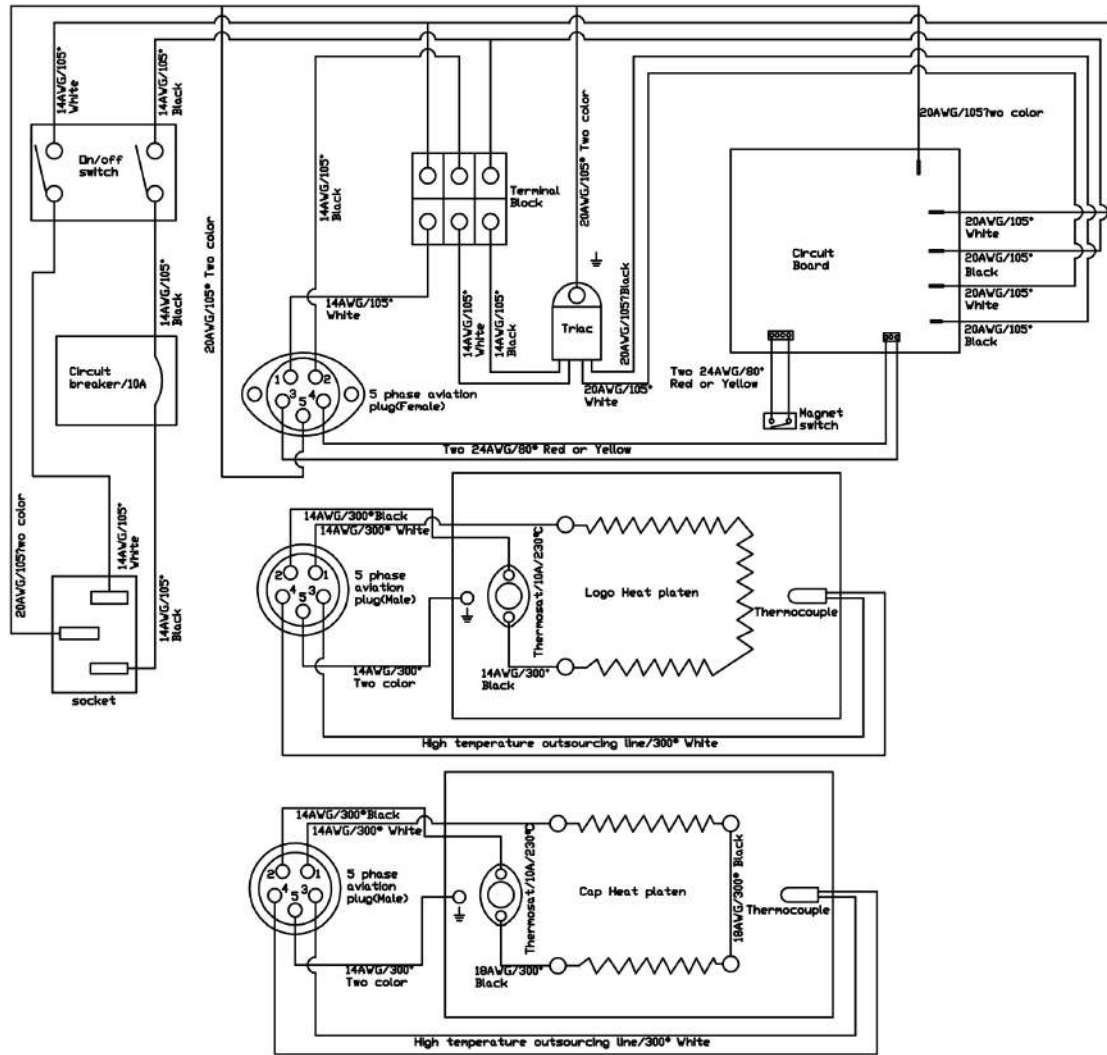
## 10.4 Cap heat platen/lower platen/base



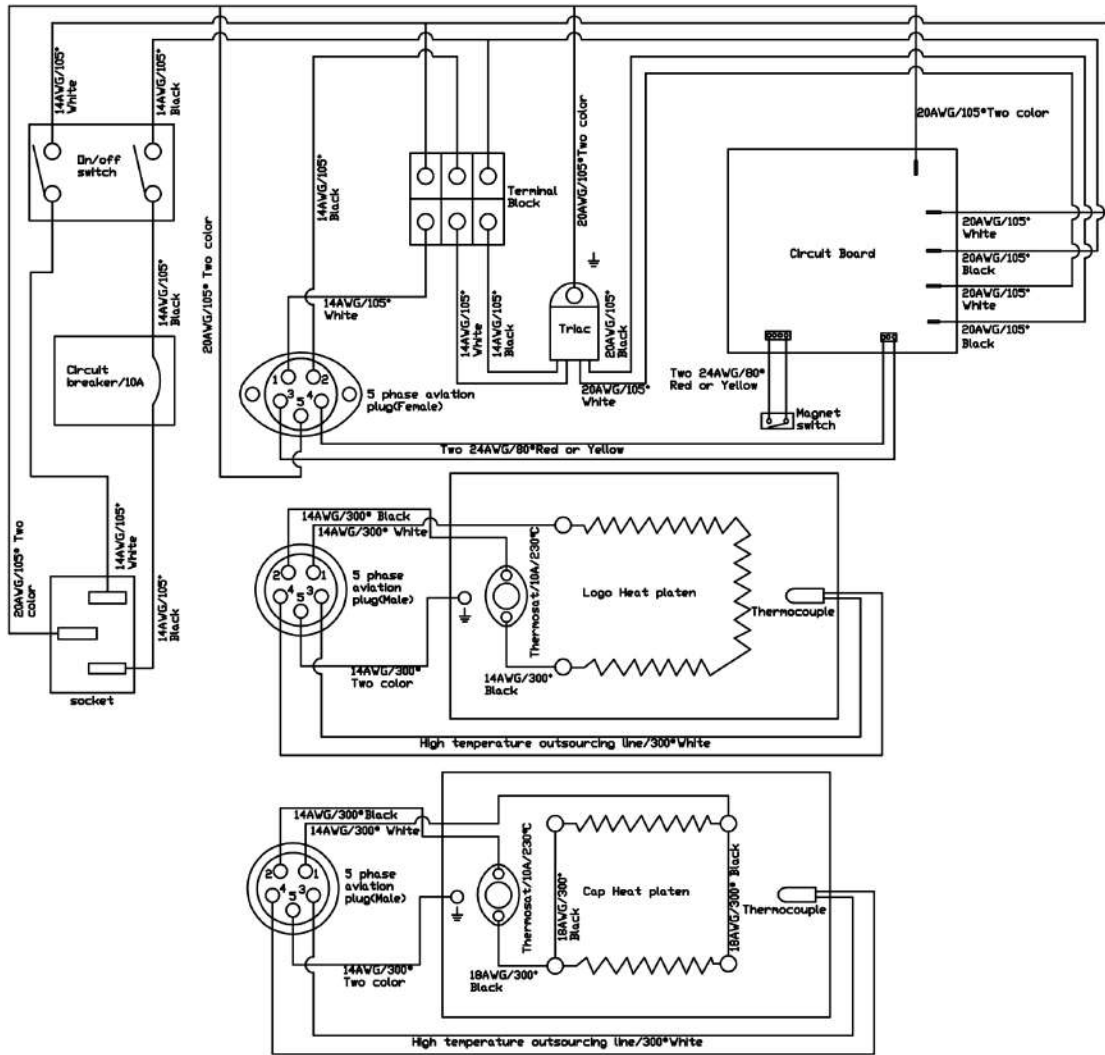
NO.	Material No.	Name(Chinese)	Name(English)	Qty	Remark
80	J.02.02.0020	底板 LP-3565-A-H	Lower platen LP-3565-A-H	1	
81	J.03.07.0011	硅胶垫 SP-3565-9-G	Silicon pad SP-3565-9-G	1	
82	J.03.06.0113	薄形螺母 M8	nut	2	
83	J.03.06.0036	塞打螺栓 M8-10-35	Shoulder screw M8-10-35	2	
84	J.02.01.0008	发热板 HP-CAP-A-H	Heat platen HP-CAP-A-H	1	
85	J.03.04.0062	突跳式温控器 TMS-01	Thermostat TMS-01	1	
86	J.03.06.0104	半圆头螺栓 M3*6	Ball headed bolt M3*6	3	
87	J.03.04.0076	热电阻 PT100	thermocouple	1	
88	J.03.06.0169	限位螺栓 M8*10*65	Balance screw M8-10-65	1	
89	J.03.05.0451	发热板连接块	Heater connector	1	
90	J.03.05.0450	发热板护罩-帽 3	Heater cover green	1	
	J.03.05.0578	发热板护罩-帽 3	Heater cover red	1	
91	J.03.06.0166	半圆头螺栓 M8*16	Ball headed bolt M8*16	1	
92	J.03.06.0186	平垫 20*8*2	washer	1	

93	J.03.06.0190	M8 弹垫	washer	1	
94	J.03.06.0072	机米螺栓 M5*10	Screw M5*10	3	
95	J.03.05.0452	调压螺栓 B-母	Adjustment spindle(female)	1	
96	J.03.06.0170	沉头螺栓 M5*12	Countersunk screw M5*12	2	
97	J.03.03.0042	凹凸垫圈	washer	2	
98	J.03.05.0381	导管接头 GZ-101 (配螺母)	Tube connector	1	
99	J.02.04.0093	航空插头 5 芯 (插头) 焊线 AT20-5TB-A-WD	5 phase plug(male)	1	
100	J.03.05.0091	导管接头 B GZ-101B	Tube connector	1	
101	J.04.04.0006	PP 阻燃波纹管 $\Phi 17*21.2$	Plastic tube	0.59M	
102	J.03.05.0468	帽台固定杆	screw	1	
103	J.03.05.0314	限位螺栓 CP-04	Balance screw	1	
104	J.03.06.0188	平垫 18*6*1	washer	1	
105	J.03.06.0103	半圆头螺栓 M5*10	Ball headed bolt M5*10	1	
106	J.03.06.0034	弹簧 SP-CAP-2-B	Spring SP-CAP-2-B	1	
107	J.03.06.0039	吊环 M6	Spring hook	1	
108	J.03.06.0155	盖形螺帽 M6	nut	1	
109	J.03.03.0037	脚垫 XD2512-148	Rubber foot	1	
110	J.03.06.0103	半圆头螺栓 M5*10	Ball headed bolt M5*10	1	
111	J.03.05.0454	印台支撑连接板 C	Cap base black	1	
	J.03.05.0580	印台支撑连接板 C	Cap base silver	1	
112	J.03.05.0315	压帽调节架 AS-CAP-01	Hat holder	1	
113	J.03.06.0157	盖形螺帽 M5	nut	1	
114	J.03.03.0032	压帽调节架手柄胶套 AS-CAP-05	Rubber sleeve	1	

# Electrical Schematic



220V



110V