

Operation Manual

(Galaxy Air Mug4 GS-207)

Safety Instructions

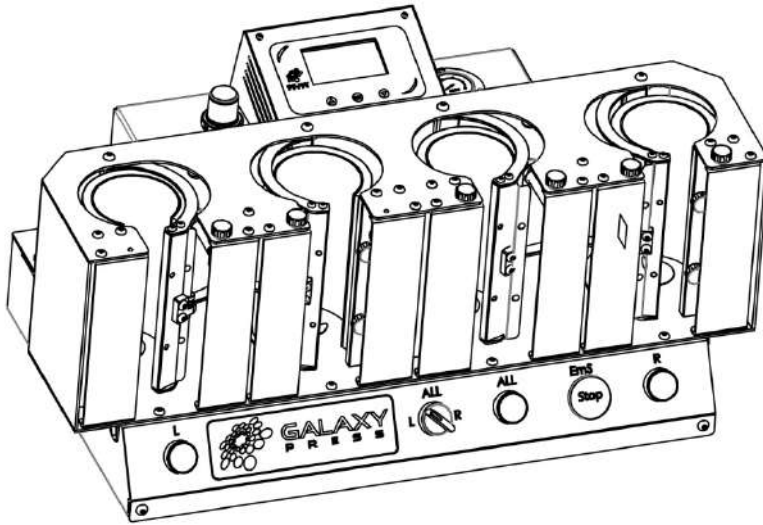
**When using your heat press,
basic precautions should always be followed,
including the following:**

1. Read all instructions.
2. Use heat press only for its intended use.
3. To reduce the risk of electric shock, do not immerse the heat press in water or other liquids.
4. Never pull cord to disconnect from outlet, instead grasp plug and pull to disconnect.
5. Do not allow cord to touch hot surfaces, allow heat press to cool completely before storing.
6. Do not operate heat press with a damaged cord or if the equipment has been dropped or damaged. To reduce the risk of electric shock, do not disassemble or attempt to repair the heat press. Take it to a qualified service person for examination and repair. Incorrect assembly or repair could increase the risk of fire, electric shock, or injury to persons when the equipment is used.
7. This appliance is not intended for use by persons (including children) with reduced physical, sensory or mental capabilities, or lack of experience and knowledge, unless they have been given supervision or instruction concerning use of the appliance by a person responsible for their safety.
8. Close supervision is necessary for any heat press being used by or near children. Do not leave equipment unattended while connected.
9. Burns can occur when touching hot metal parts.
10. To reduce the likelihood of circuit overload, do not operate other high voltage equipment on the same circuit.
11. If an extension cord is necessary, then a 20 amperage rated cord should be used. Cords rated for less amperage may overheat. Care should be taken to arrange the cord so that it cannot be pulled or tripped over.

Table Of Contents

Safety Instructions.....	1
Technical Parameters.....	3
Machine View.....	4
Control Panel Guide.....	5
Operating Instructions.....	5-11
● Connecting the System.....	5
● Turning the System On.....	6
● Adjusting the Temperature.....	6-7
● Adjusting the Time.....	7
● Printing and Pressing.....	8-9
● How to Change Heater.....	9
● Sub Menu Setting.....	10-11
Exploded Views And Parts List.....	12-19
Electrical Schematic.....	20

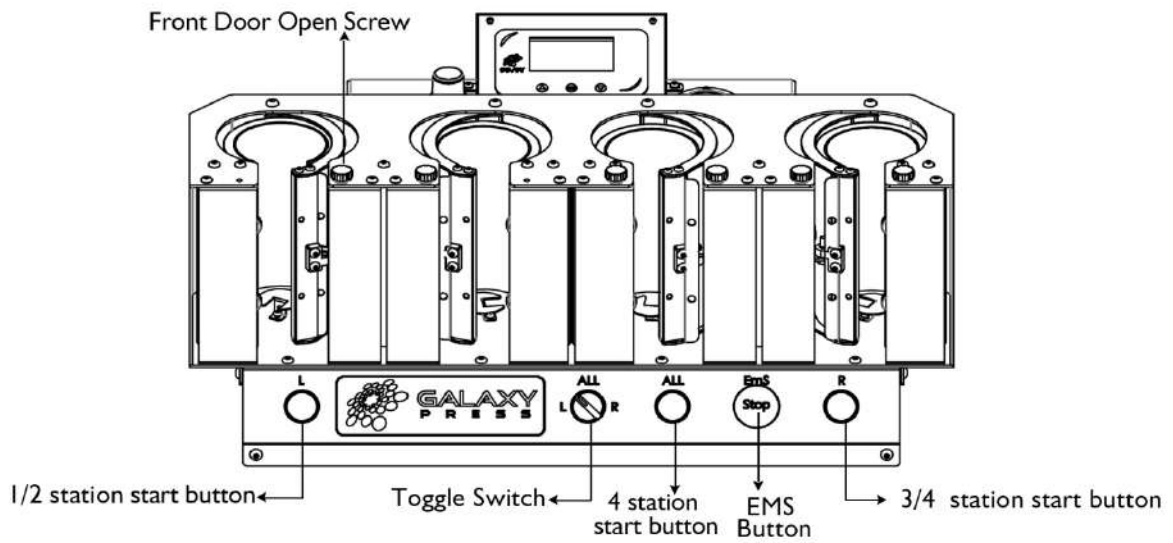
Technical Parameters



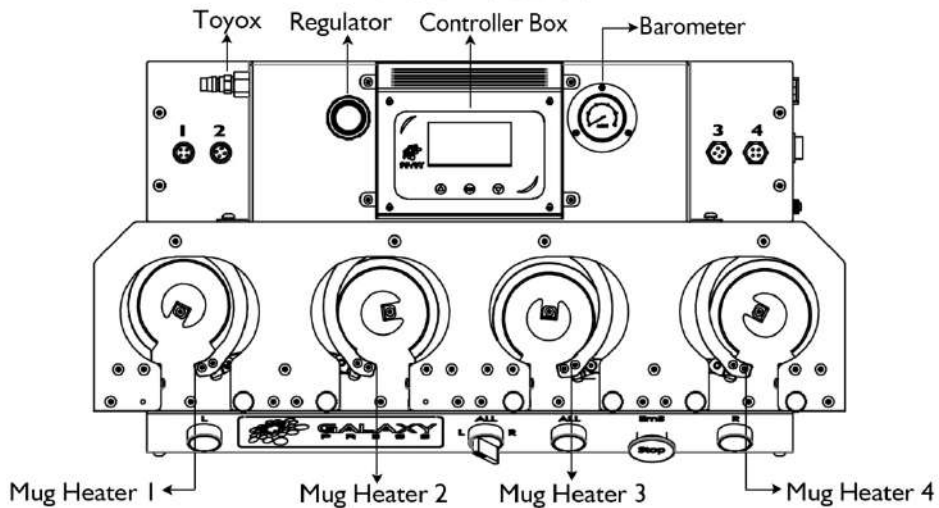
Model:	GS-207
Heater Size:	W195mm*H170mm for 400ml/500ml/600ml aluminum sports water bottle.
Power(120volt)	4*300W/4*120W 16.1 Amps(max)
Power(240volt)	4*1200W/4*120W 8.1Amps(max)
Temperature Range:	Max.220°C/430°F
Time Range:	0~999S
Machine Size:	65.2×33.9×30.1cm
Packing Size:	73×42×37cm
Packing Weight:	26.5kg
Productivity:	60-70pc/hour,
Maximum Paper Printing Size:	400ml sports bottle: 175*99mm(L*W) 500ml sports bottle: 175*114mm(L*W) 600ml sports bottle: 175*134mm(L*W)
Suggest Temp&Time Setting:	150C/190C 40-50secs 302F/374F 40-50secs
Air Compressor Suggest(not included):	Pressure >0.5Mpa or 5 bar
Certificate:	CE,FCC
Warranty:	One year for control board, two years on whole machine except heaters

Machine View

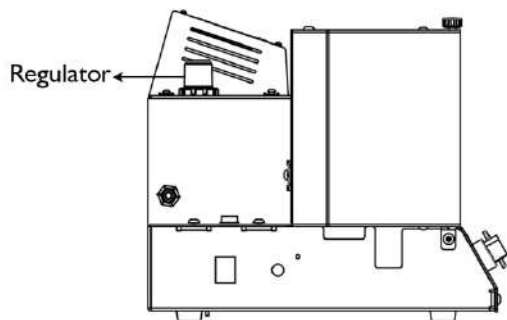
FRONT VIEW



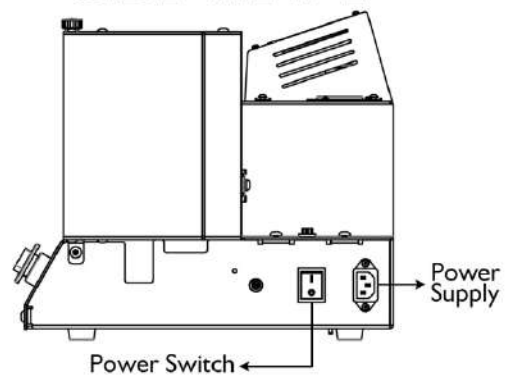
TOP VIEW



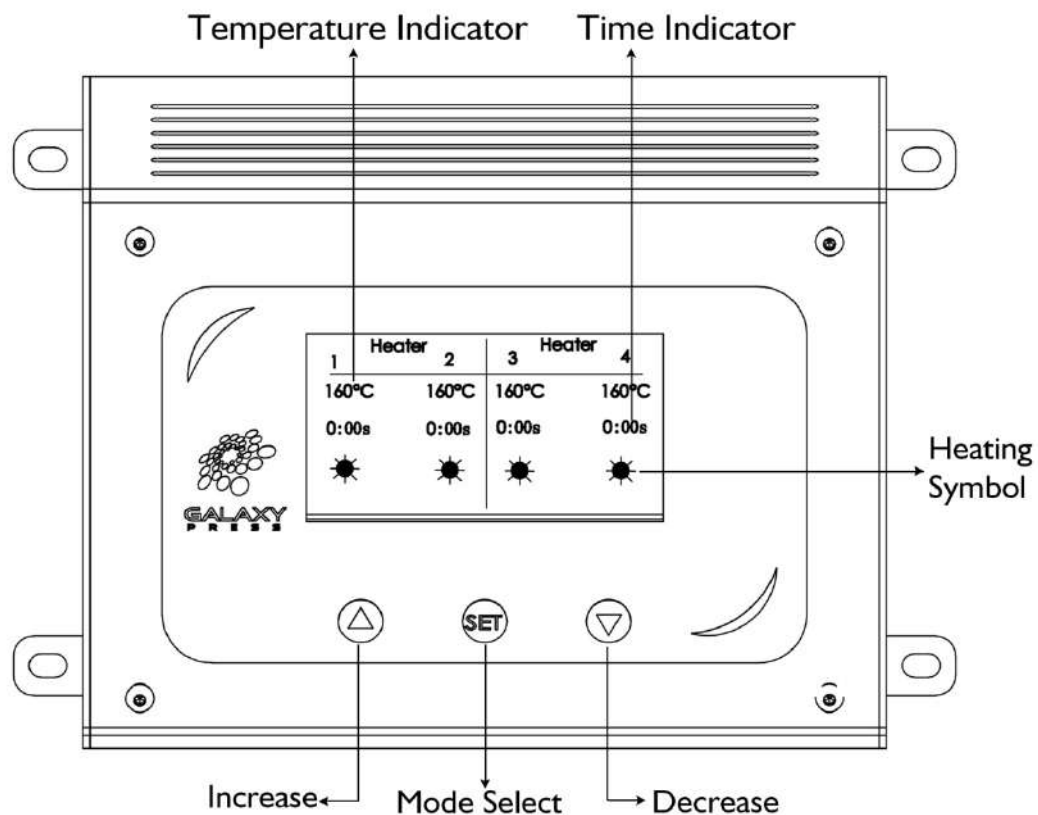
SIDE VIEW-1



SIDE VIEW-2



Control Panel Guide



Operation Instructions

1. Connecting the System

- **CONNECT THE POWER CORD**

Connect the power cord into a properly grounded electrical outlet with a sufficient amperage rating.

- **VOLTAGE**

120 Volt – The Galaxy Air Mug4 GS-207 requires a full 20 amp grounded circuit for 120 volt operation.

240 Volt – The Galaxy Air Mug4 GS-207 requires a full 10 amp grounded circuit for 240 volt operation.

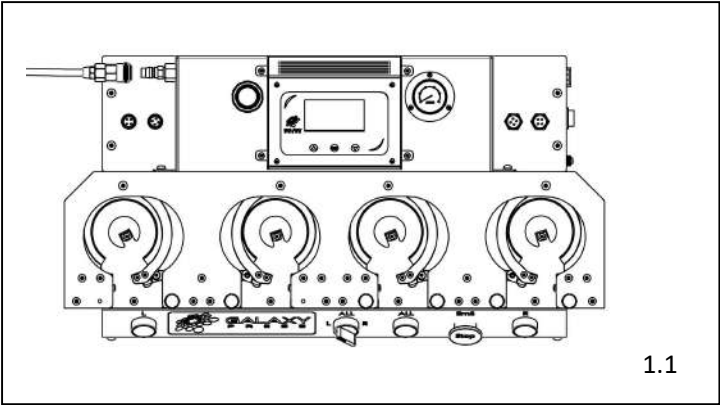
- **EXTENSION CORDS** If used, should be as short as possible and not less than 12 gauge. Heavy duty cords are recommended.

- **CIRCUITS** that have less than 15 amps or that have other high demand equipment or appliances (especially more than one heat seal machine) plugged in, should not be used.

NOTE: If the supply cord is damaged, it must be replaced by the manufacturer, its service agent or a similarly qualified person in order to avoid hazard.

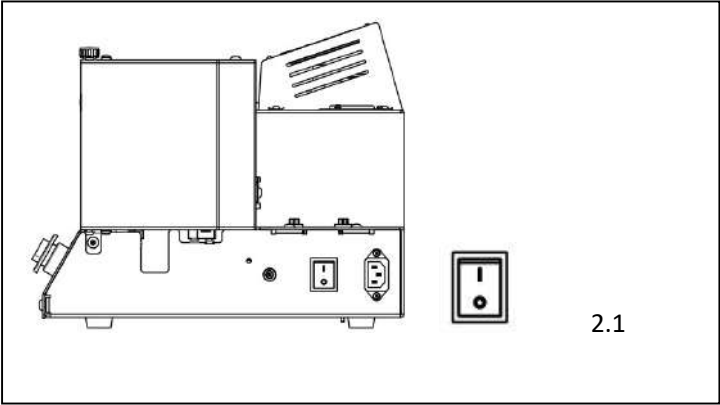
● **CONNECTING THE AIRCOMPRESSOR**

- Connect the Air Hose from your air compressor into the Air Connector located on the side of the press. (fig.1.1)



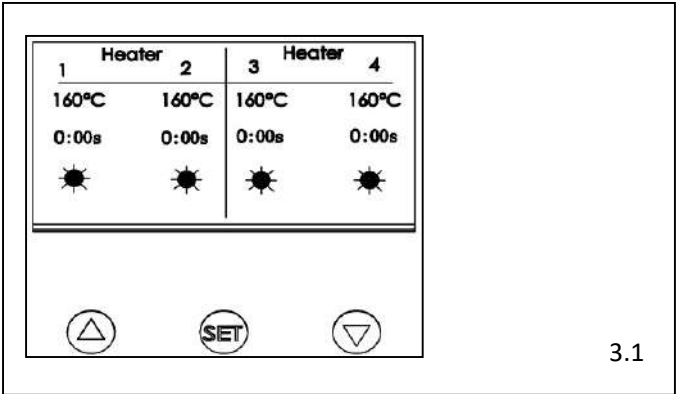
2.Turn On the System

- Switch on the system. (fig.2.1)

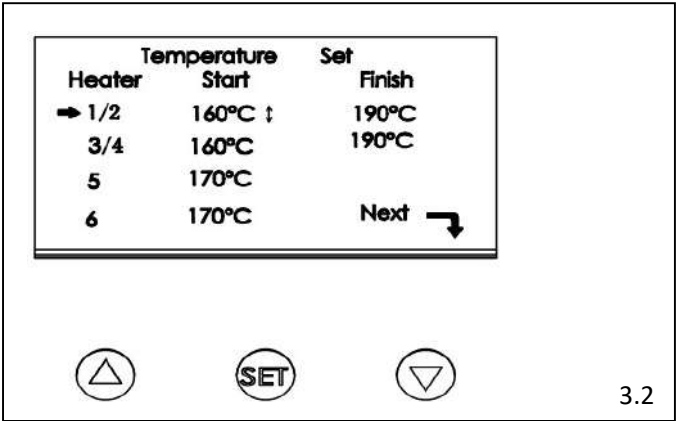


3.Adjusting the Temperature

- 3.1 Press the Mode Select button located in the center of the Control Panel (fig.3.1).Press (+) and (-) button to select different heater. (fig.3.2).



- 3.2 For heater 1/2 and 3/4, press “set” button to choose “start temp” or “finish temp”, press (+) and (-)button to set temperature.The temperature can be set from 0° C (0° F) to 220° C (428° F). (fig.3.2)
- For heater 5 and heaer 6, since there is no bottom heater on GS-207, there is no need for customer to set.**



3.3 press set button again to finish setting, move the cursor to “next”, ready to enter time setting page. (fig.3.3)

Heater	Temperature	
	Start	Set Finish
1/2	160°C	190°C
3/4	160°C	190°C
5	170°C	
6	170°C	→Next ↘



3.3

Remark:

1. heater 1/2 represent no.1 and no.2 heater, can only be set temperature at once time together, because left air cylinder close the heater 1/2 together. Heater 1/2 can set “start temp” and “finish temp”.
2. heater 3/4 represent no.3 and no.4 heater, can only be set temperature at once time together, because right air cylinder close the heater 3/4 together. Heater 3/4 can set “start temp” and “finish temp”.

4.Adjusting Time

4.1 In the time setting page, Press (+) and (-) button to select different heater..(fig.4.1)

Heater	Time	Set
→ 1/2	0:50s ↓	
3/4	0:50s	
Sub Menu ↘		Back ↗



4.1

4.2 Press “set” button to activate time value setting. Press (-) button to lower the value ,or press the (+) button to raise the time value .The time setting range can be set from 0~999. Move the cursor to “back”,press “set’ button to get back to the main interface. (fig.4.2)

Heater	Time	Set
1/2	0:50s	
3/4	0:50s	
Sub Menu ↘		→Back ↗



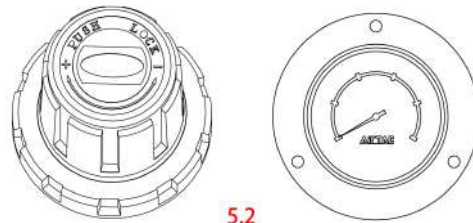
4.2

5. Printing And Pressing

- Set pressure by adjusting pressure valve, pull up the valve then clockwise turning to increase pressure, anti-clockwise turning to reduce pressure. Pull down the knob after setting (fig.5.1)

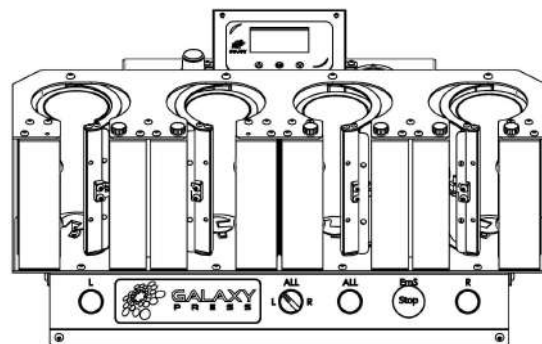
Suggesting pressure range: 4-6

Attention: Maximum pressure must be less than 7



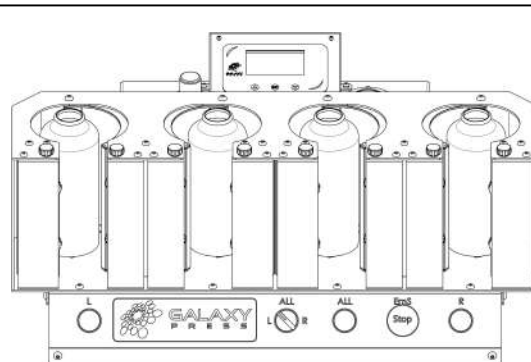
GS-207 has two working mode. 4-station working mode and 2 station working mode. Customer could turn switch to select. (fig.5.2)

1. Switch position in middle, 4 stations working together. Middle start button start printing process.
2. Switch position in left, 1/2 station working together. 3/4 station will not work. Left start button start printing process.
3. Switch position in right, 3/4 station working together. 1/2 station will not work. Right start button start printing process.



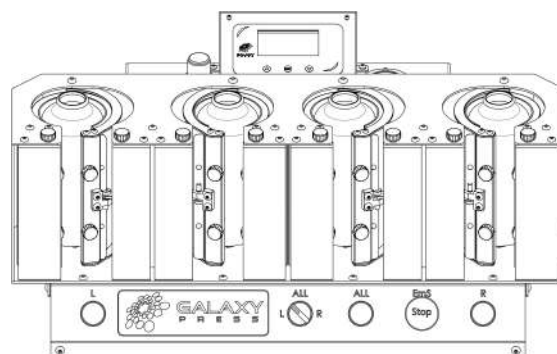
5.2

- Once your equipment has reached the designated temperature, put mugs inside machine (fig.5.3)



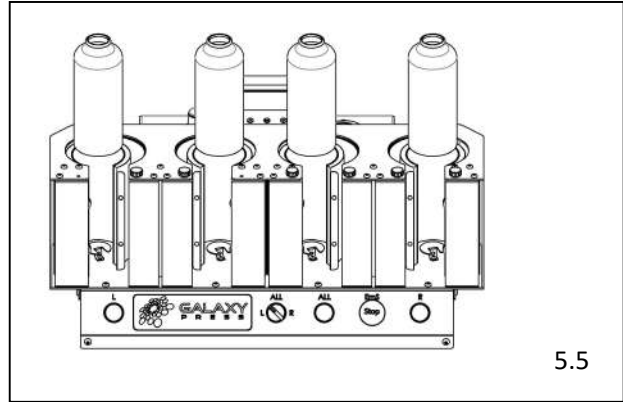
5.3

- Press start button according to the mode, heater cover will close and printing process started. (fig.5.4) Temperature will heat up from "start temp" to "finish time" then time starts to count down.



5.4

- Once time counting to 0,printing process finish,heater cover will auto open.Customer can take off mugs(fig.5.5)

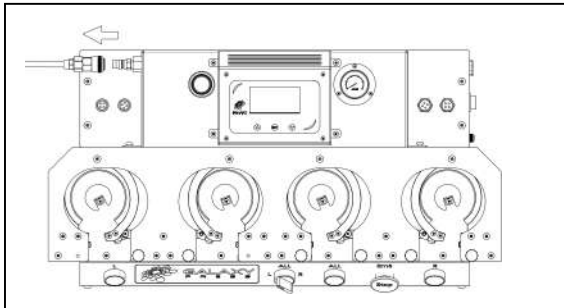


5.5

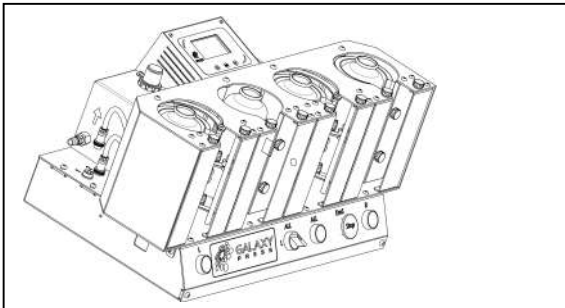
Remark:

1. Under each mode, start button will only work once all heaters' temp reach "start temp" temperature.
2. Station 1/2 must work with two mugs inside, working only with 1 mug inside will damage the machine.
3. Station 3/4 must work with two mugs inside, working only with 1 mug inside will damage the machine.
4. Each heater's temperature is separately controlled by different triac, can be calibrated separately. But we do not suggest customer make calibration unless there is a need.

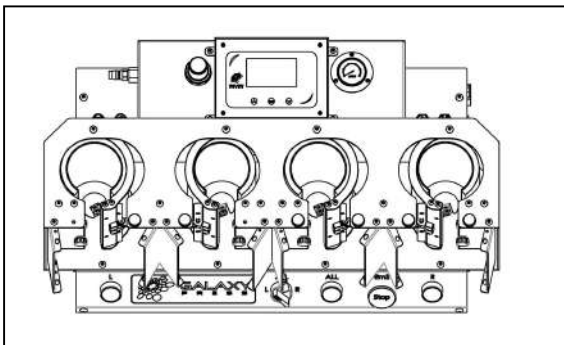
6.How to Change Heater



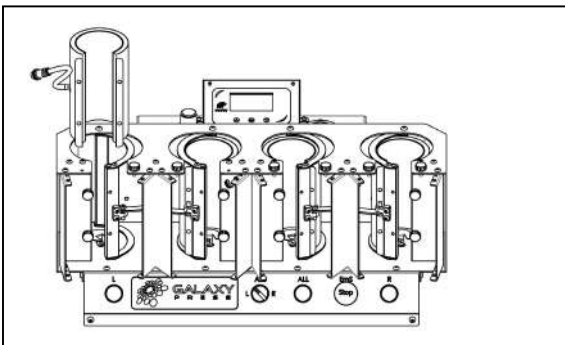
- Pull off the air connctor(fig.6.1)



- Plug off the 4 phase plug (fig.6.2)



- Open the heater front cover(fig.6.3)

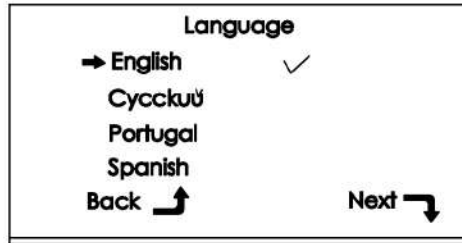


- Take off the heater. Then do the opposite operation can change a new heater onto the machine(fig.6.4)

7.Sub Menu Introduction

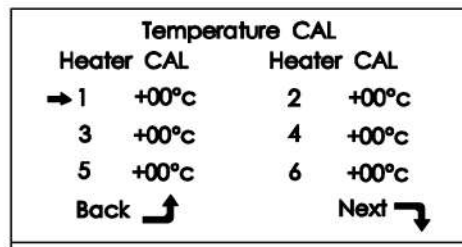
In the time setting page, there is sub menu button, move the cursor to the button, press “set” button to enter into sub menu

7.1 Language setting.we offer 4 language for customer needs. English/Spanish/Russia/Portuguese. (fig.7.1). Once finish setting,go to next page.



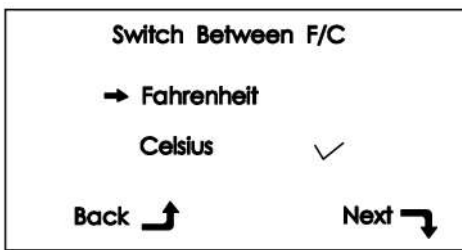
7.1

7.2 Temperature calibration setting. Customer can make calibration on each heater once the heater's temperature is not correct.(fig.7.2).Once finish setting,go to next page.



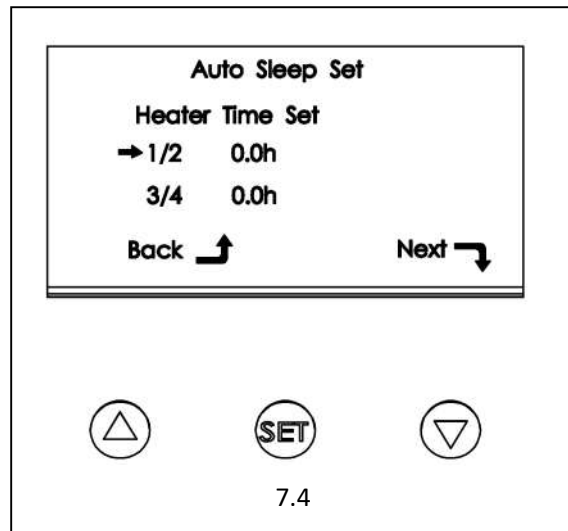
7.2

7.3 Fahrenheit and Celsius setting. (fig.7.3).Once finish setting,go to next page.

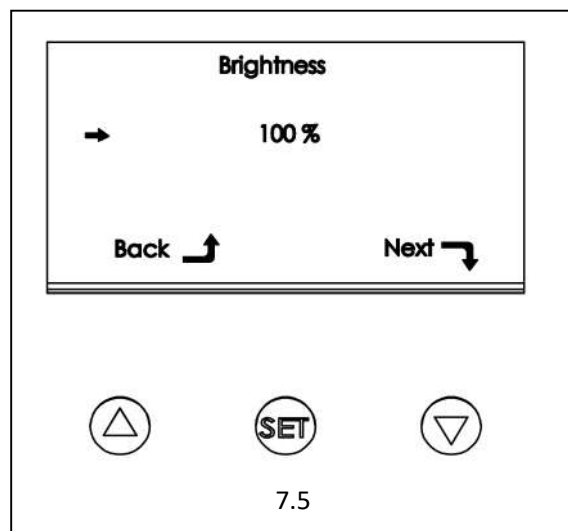


7.3

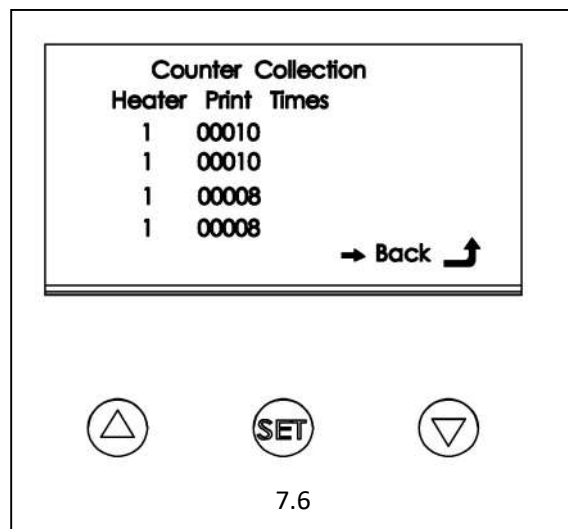
7.4 Auto-sleep setting. Customer can set auto-sleep time. Once time is reached, machine will auto close without any operation (fig.7.4).Once finish setting,go to next page.



7.5 Brightness setting. Customer can reduce or increase brightness of the screen. (fig.7.5).Once finish setting,go to next page.



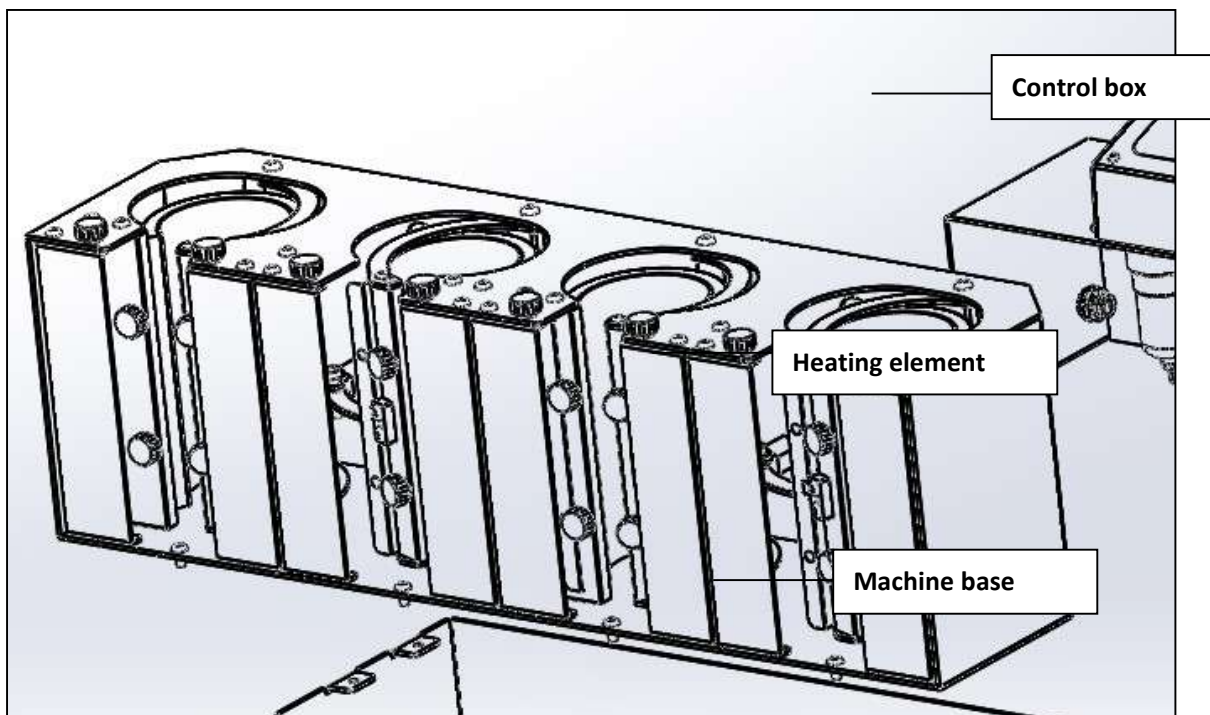
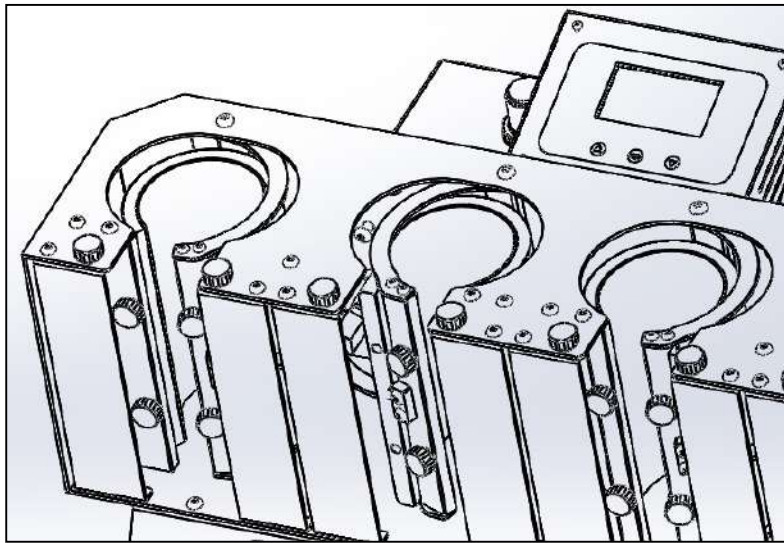
7.6 Counter Collection. Here customer can see how many mugs have been printed by each heater. This setting can not be changed.. (fig.7.6).Once finish setting,go back to the main interface.



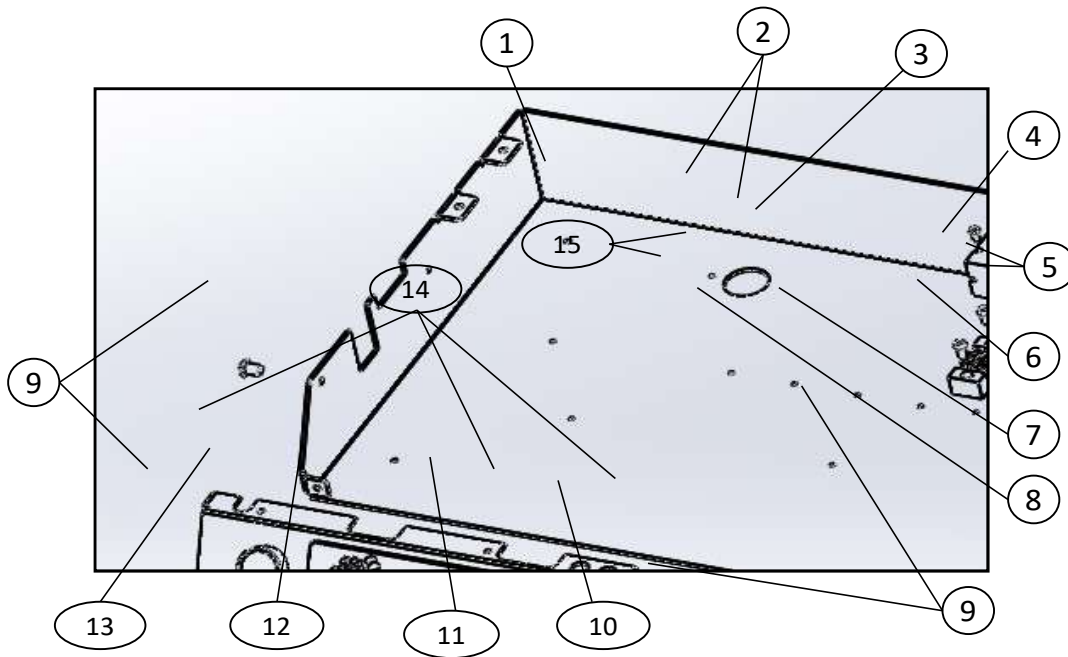
Exploded Views

GS-207 contains 3 main parts:

1. machine base
2. control box
3. heating elements



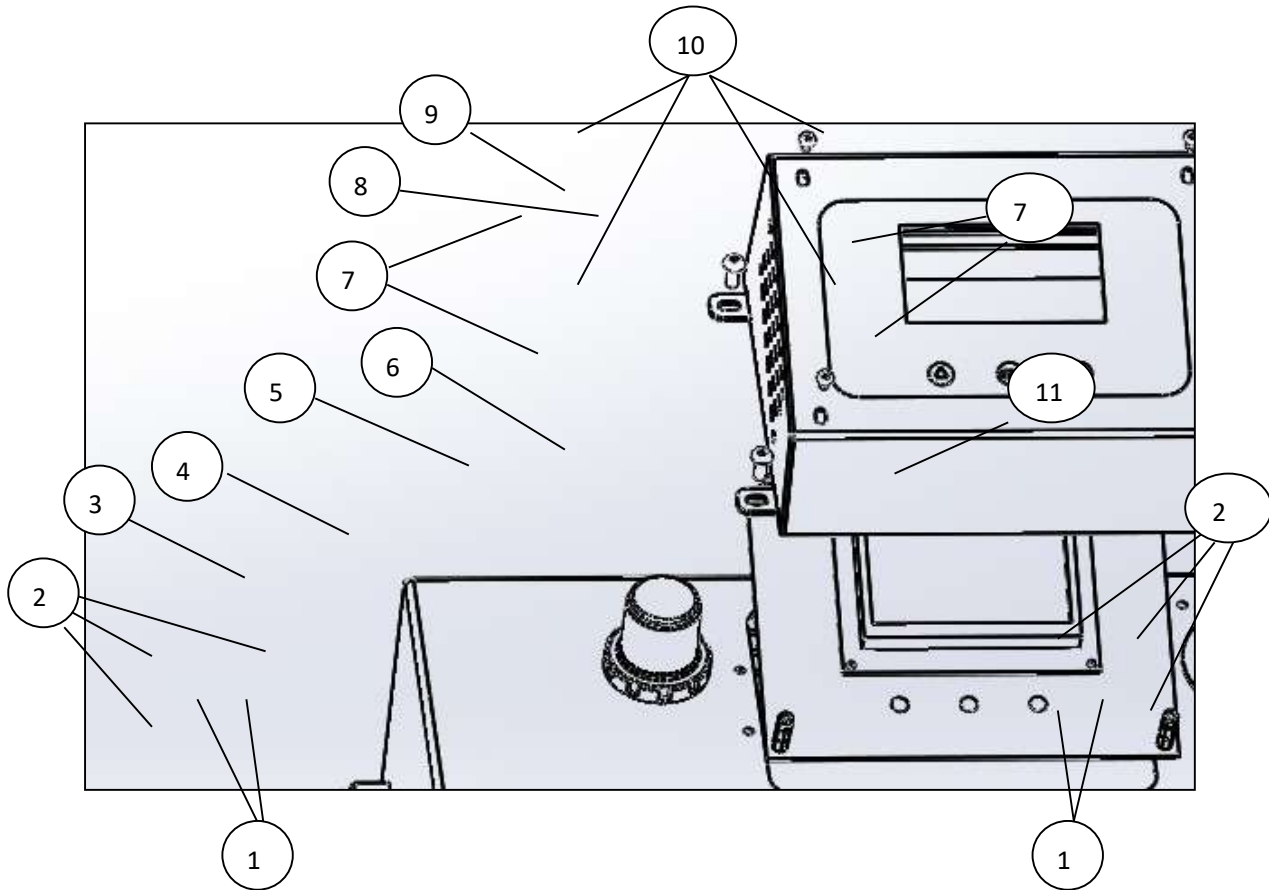
1. Machine base:



Parts list:

No.	P/N	Name/English	Name/Chinese	Remark
1	J.03.05.0396	Machine base	底座	
2	J.03.06.0104	Round head bolt M3x6	半园头螺栓 M3x6	
3	J.03.04.0011	Switch Power Supply DC12V	开关电源 DC12V	
4	J.03.04.0077	socket	电源插座	
5	J.03.06.0077	countersunk bolt M3x8	沉头螺丝 M3x8	
6	J.03.04.0079	On/off switch	船型开关	
7	J.03.04.0060	Circuit Breaker 10A	过载保护器 10A	220V
	J.03.04.0081	Circuit Breaker 18A	过载保护器 18A	110V
8	J.03.04.0078	Terminal Block	接线排-3 列	
9	J.03.06.0129	Round head bolt M6x8	半园头螺栓 M6x8	
10	J.03.04.0014	EMS	急停按钮	
11	J.03.04.0168	Three gear rotary switch	切换按钮 3 档	
12	J.03.01.0024	LOGO	前面板 LOGO	
13	J.03.05.0397	Front base	底座前面板	
14	J.03.04.0167	Button Switch	平头按钮	
15	J.03.06.0117	Round head bolt M4x10	半园头螺栓 M4x10	

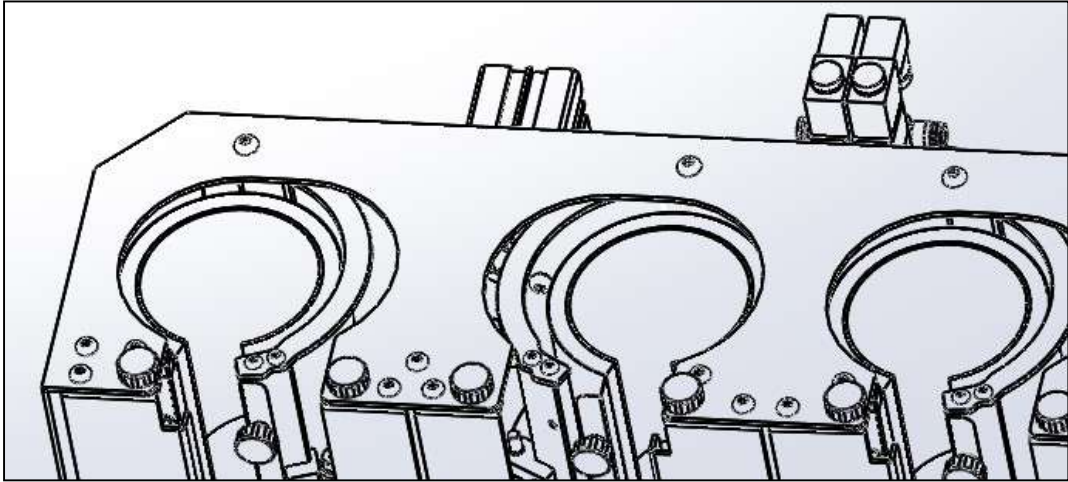
2.control box part:



Part List:

No.	P/N	Name/English	Name/Chinese	Remark
1	J.03.04.0002	4-phase plug	航空插头 4 芯	
2	J.03.06.0129	Round head bolt M6x8	半园头螺栓 M6x8	
3	J.03.04.0010	C-type quick connector	C 式快速接头	
4	J.03.05.0402	Top Cover	气源固定板	
5	J.03.04.0161	Filter	过滤器	
6	J.03.04.0166	Circuit board GSK-07	PCBA 控制板 GSK-07	
7	J.03.06.0117	Round head bolt M4x10	半园头螺栓 M4x10	
8	J.03.01.0025	Sticker	屏幕标贴	
9	J.03.05.0403	Circuit board cover	屏幕固定壳	
10	J.03.06.0104	Round head bolt M3x6	半园头螺栓 M3x6	
11	J.03.04.0173	Barometer	气压表	

3.Heating element part:

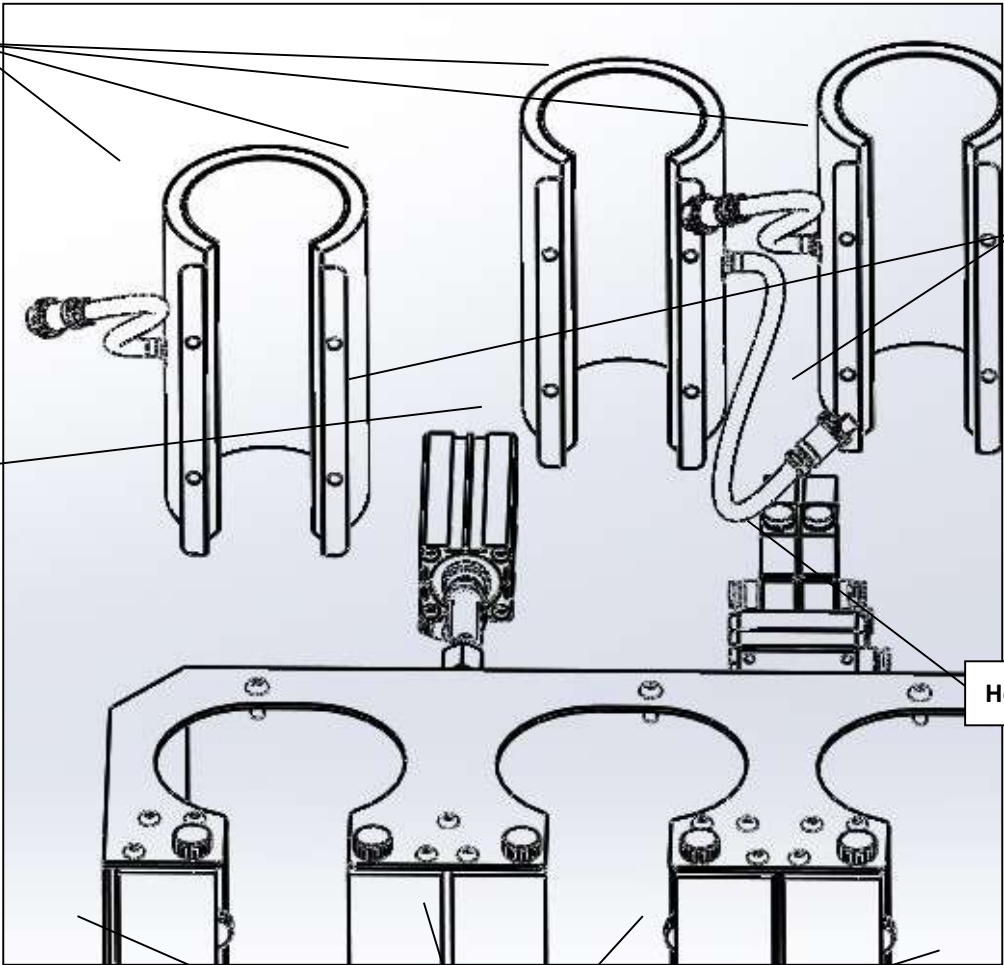


Mug Heater
J.02.06.0022-220V
J.02.06.0037-110V

Solenoid Valve Set

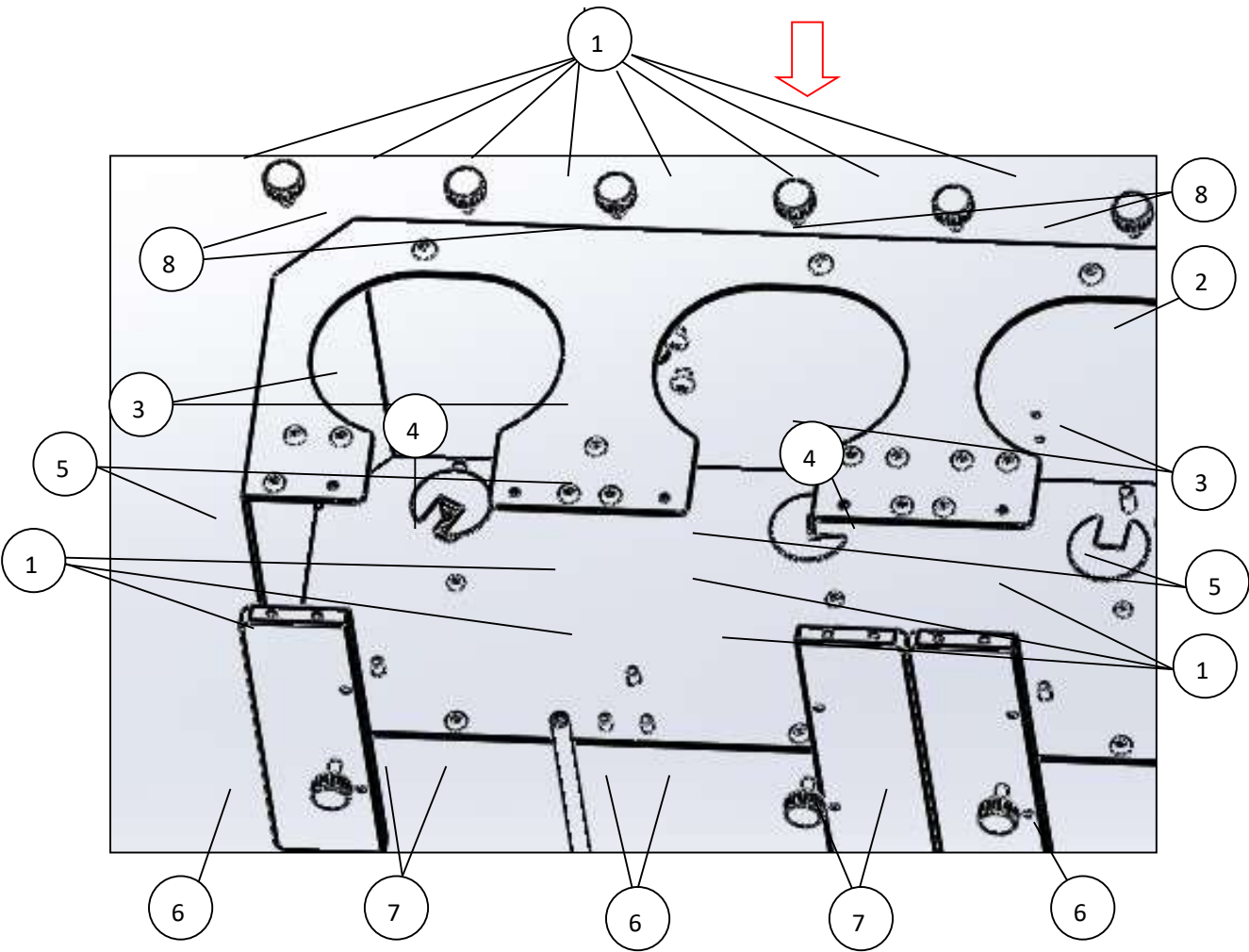
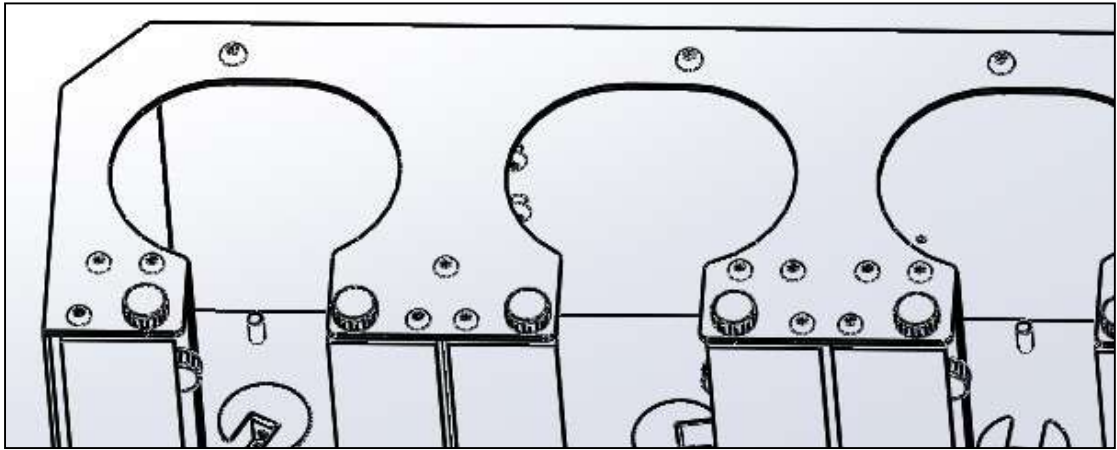
Air Cylinder Set

Heater Cover Set



Heater Frame Set

3.1.Heater Cover Set Explosive View:

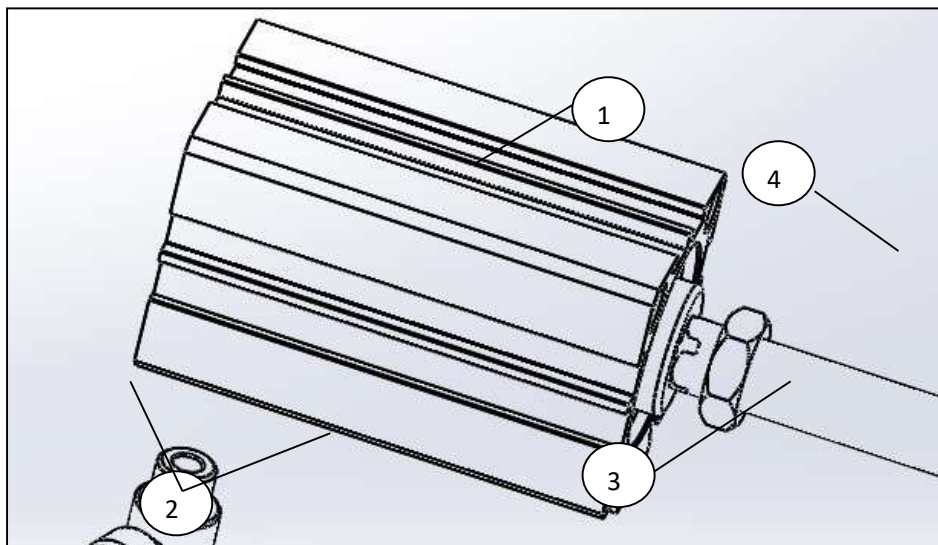
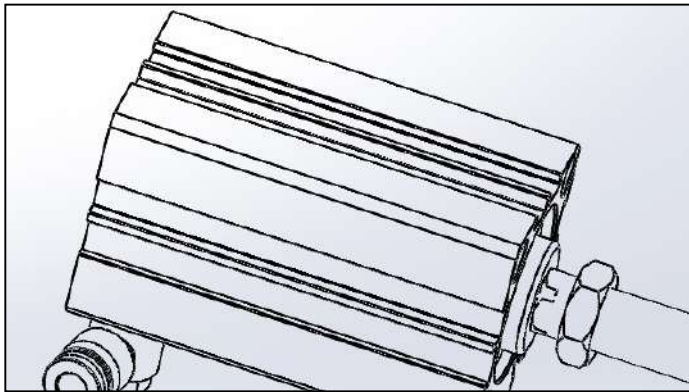


Parts List:

No.	P/N	Name/English	Name/Chinese	Remark
1	J.03.06.0032	Fast screw M5-18-10	直纹把手	
2	J.03.05.0413	Heater cover	杯垫罩	
3	J.03.05.0421	Bottom base	杯底支撑板	

4	J.03.05.0456	Supporting pillar	杯垫罩支撑轴	
5	J.03.05.0417	Heater fix board	杯垫固定板	
6	J.03.05.0414	Door type cover-1	活动档板-1	
7	J.03.05.0415	Door type cofer-2	活动档板-2	
8	J.03.06.0102	Round head bolt M6x16	半园头螺栓	

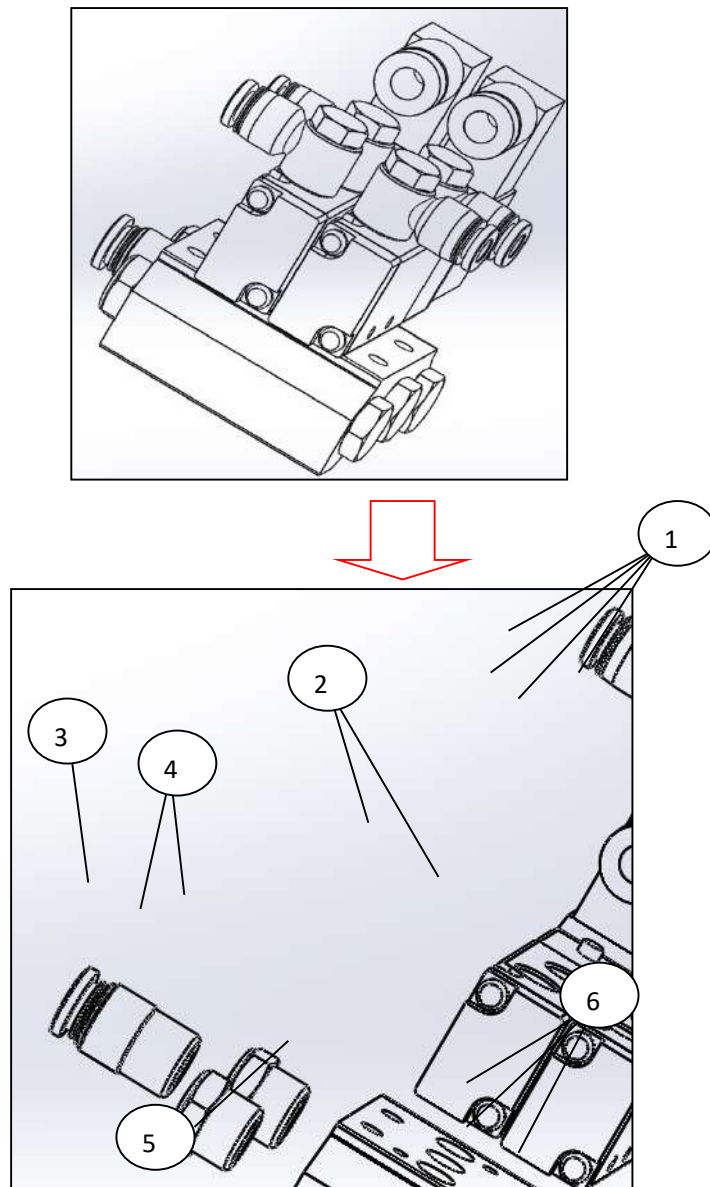
3.2.Air Cylinder Set Explosive View:



Parts List:

No.	P/N	Name/English	Name/Chinese	Remark
1	J.03.04.0172	Cylinder SDA32x70B	气缸 SDA32x70B	
2	J.03.04.0155	Speed regulating valve -PSL601A	调速阀-PSL601A	
3	J.03.05.0406	Connector-1	连杆转接头-1	
4	J.03.06.0093	Shoulder screw M5-6*16	塞打螺栓 M5-6*16	

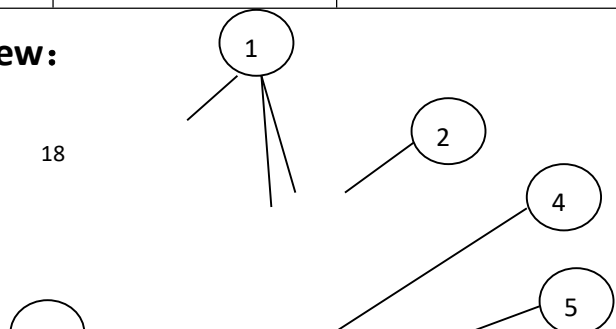
3.3. Solenoid Valve Set Explosive View:

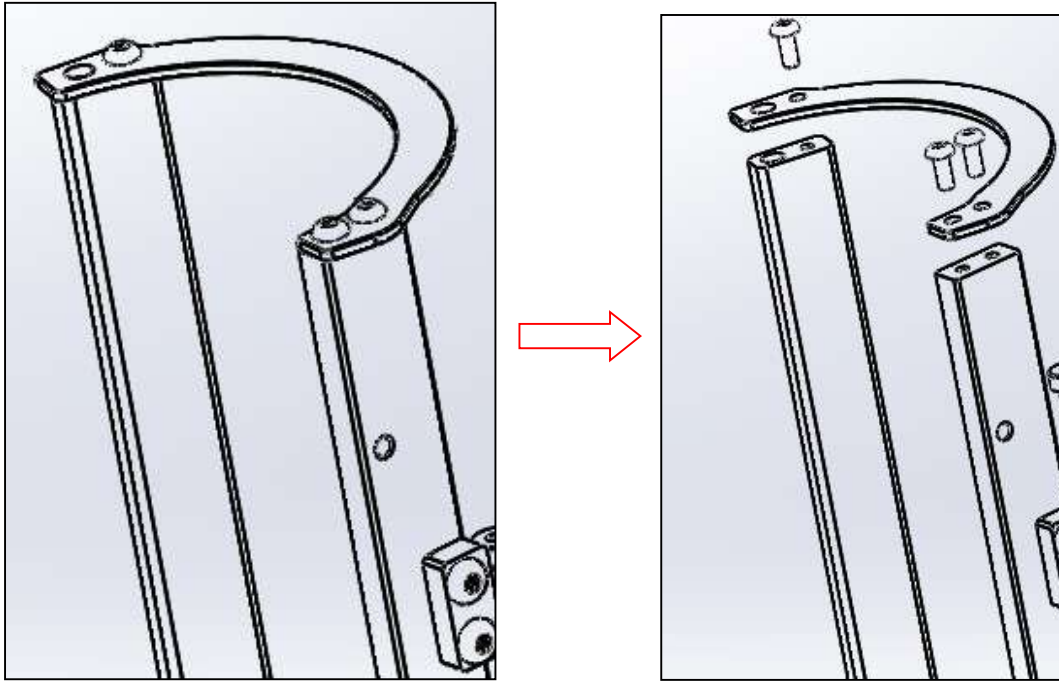


Parts List:

No.	P/N	Name/English	Name/Chinese	Remark
1	J.03.04.0160	TOYOX (PH601)	管接头 (PH601)	
2	J.03.04.0016	Solenoid valve (4V11006FI)	电磁阀 (4V11006FI)	
3	J.03.04.0173	TOYOX (BPC601)	管接头 (BPC601)	
4	J.03.04.0157	muffler	消声器	
5	J.03.04.0156	busbar	汇流排	
6	J.03.04.0159	Plug	堵头	

3.4. Heater Frame Set Explosive View:





Parts List:

No.	P/N	Name/English	Name/Chinese	Remark
1	J.03.06.0117	Round head bolt M4x10	半园头螺栓	
2	J.03.05.0426	Arc supporting plate	弧形支撑板	
3	J.03.05.0419	Supporting board-1	支撑杆-1	
4	J.03.05.0420	Supporting board-2	支撑杆-2	
5	J.03.06.0142	Shoulder screw M5-6*12	塞打螺丝	
6	J.03.05.0455	Connecting sheet	杯垫推动连杆	
7	J.03.03.0092	gasket	垫圈	
8	J.03.05.0418	connector-2	连杆转接头-2	
9	J.03.06.0101	Round head bolt M5*16	半圆头螺栓	

Electrical Schematic

