

Operation Manual

(GS-205B)

Safety Instructions

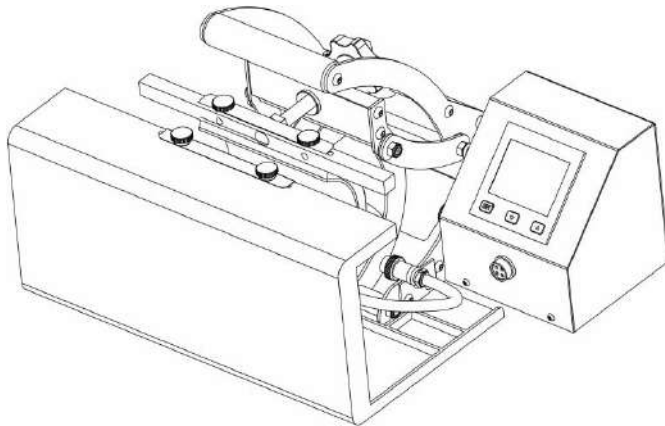
**When using your heat press,
basic precautions should always be followed,
including the following:**

1. Read all instructions.
2. Use heat press only for its intended use.
3. To reduce the risk of electric shock, do not immerse the heat press in water or other liquids.
4. Never pull cord to disconnect from outlet, instead grasp plug and pull to disconnect.
5. Do not allow cord to touch hot surfaces, allow heat press to cool completely before storing.
6. Do not operate heat press with a damaged cord or if the equipment has been dropped or damaged. To reduce the risk of electric shock, do not disassemble or attempt to repair the heat press. Take it to a qualified service person for examination and repair. Incorrect assembly or repair could increase the risk of fire, electric shock, or injury to persons when the equipment is used.
7. This appliance is not intended for use by persons (including children) with reduced physical, sensory or mental capabilities, or lack of experience and knowledge, unless they have been given supervision or instruction concerning use of the appliance by a person responsible for their safety.
8. Close supervision is necessary for any heat press being used by or near children. Do not leave equipment unattended while connected.
9. Burns can occur when touching hot metal parts.
10. To reduce the likelihood of circuit overload, do not operate other high voltage equipment on the same circuit.
11. If an extension cord is necessary, then a 20 amperage rated cord should be used. Cords rated for less amperage may overheat. Care should be taken to arrange the cord so that it cannot be pulled or tripped over.

Table Of Contents

Safety Instructions.....	1
Technical Parameters.....	3
Machine View.....	4
Control Panel Guide.....	5
Operating Instructions.....	6-9
● Connecting the System.....	6
● Turning the System On.....	6
● Adjusting the Temperature.....	7
● Adjusting the Time.....	7
● Adjusting the Pressure.....	7
● Printing and Pressing.....	8
● Switch Between F/C.....	8
● Temperature Clibration.....	9
Exploded Views And Parts List.....	10-12
Electrical Schematic.....	13

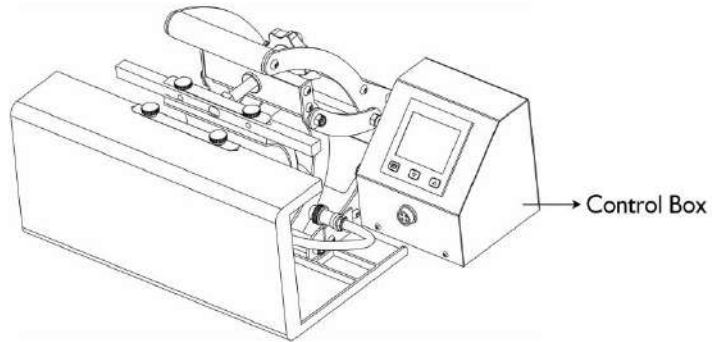
Technical Parameters



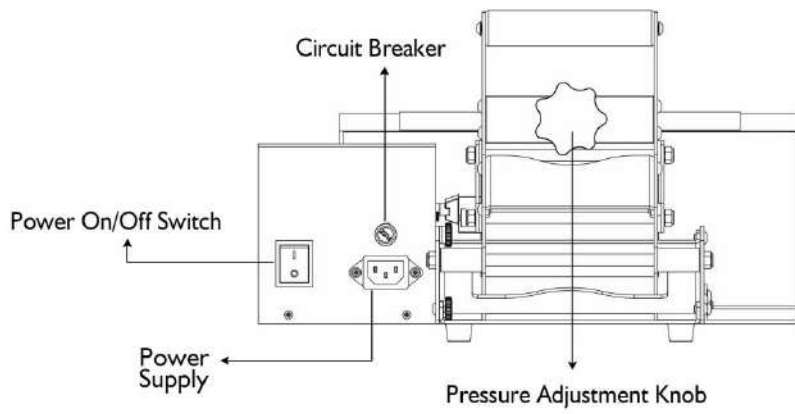
Model:	GS-205B	Remark
Power(120volt)	300W/2.8Amps	For heaters compatible with GS-205B, please check the list under "Exploded Views And Parts List"
Power(240volt)	300W/1.4Amps	
Temperature Range:	Max.200°C/392°F	
Time Range:	0~999S	
Machine Size(open size):	36.6×31.8×22.3cm	
Packing Size:	42.6×37.8×28.8cm	
Packing Weight:	5.7kg	
Certificate:	FCC, CE	
Warranty:	One year on whole machine except heaters.	

Machine View

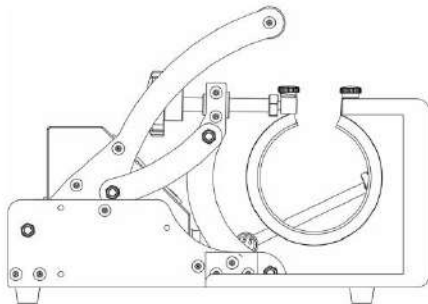
SIDE VIEW



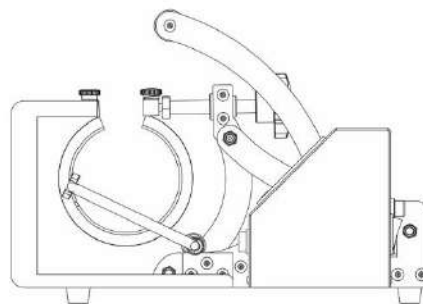
BACK VIEW



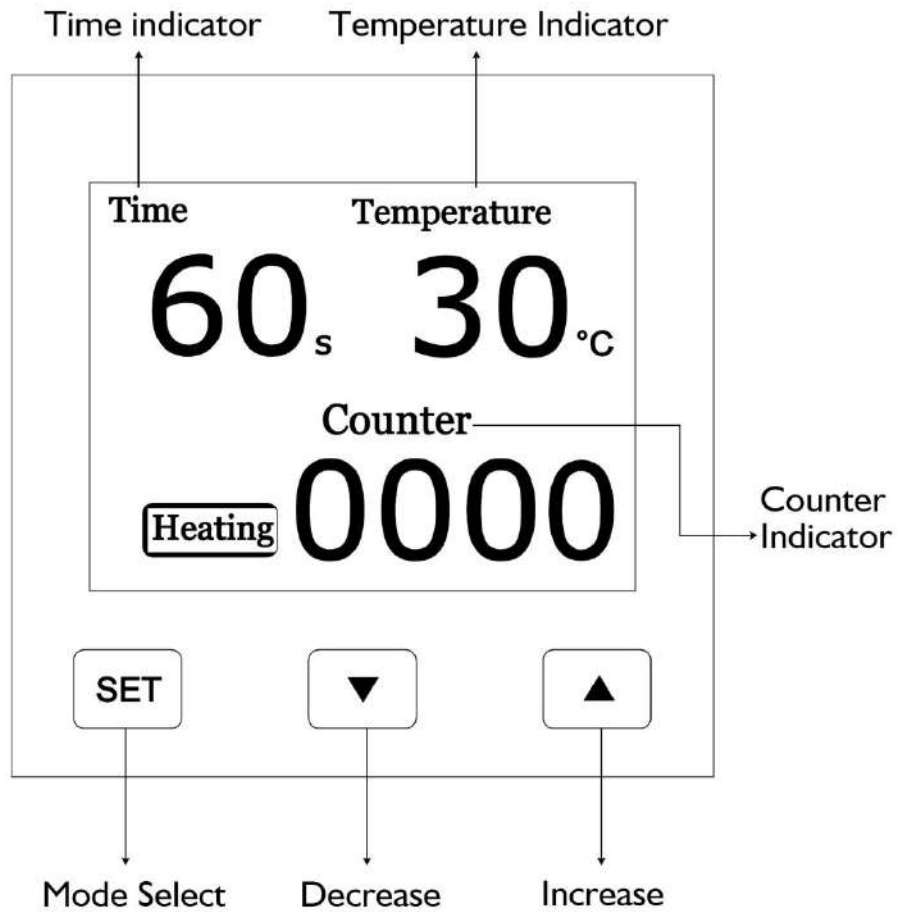
LEFT SIDE VIEW



RIGHT SIDE VIEW



Control Panel Guide



Operation Instructions

1. Connecting the System

1.1 Connect the power cord into a properly grounded electrical outlet with a sufficient amperage rating.

1.2 VOLTAGE

120 Volt – The GS-205B requires a full 10 amp grounded circuit for 120 volt operation.

240 Volt –The GS-205B requires a full 7 amp grounded circuit for 240 volt operation.

1.3 EXTENSION CORDS If used, should be as short as possible and not less than 12 gauge. Heavy duty cords are recommended.

1.4 CIRCUITS that have less than 10 amps or that have other high demand equipment or appliances(especially more than one heat seal machine) plugged in, should not be used.

NOTE: If the supply cord is damaged, it must be replaced by the manufacturer, its service agent or a similarly qualified person in order to avoid hazard.

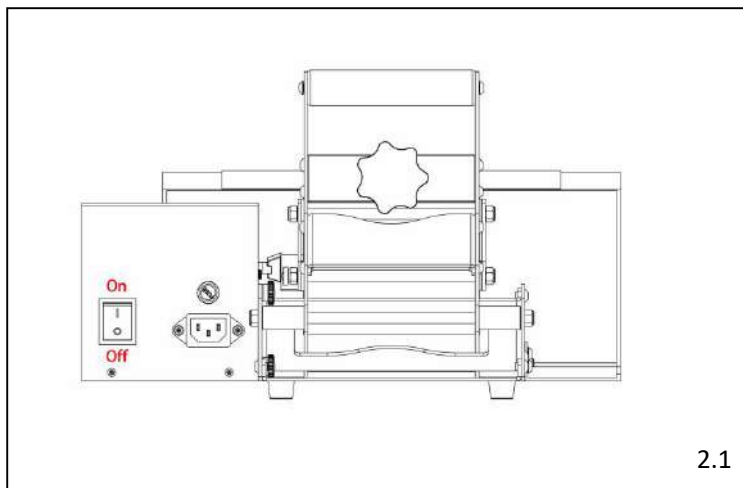
CAUTION :

Failure to follow these instructions will cause:

- 1) Erratic controller functions.
- 2) Inaccurate displays and slow heat-up.
- 3) The circuit breaker to disengage.

2. Turn On the System

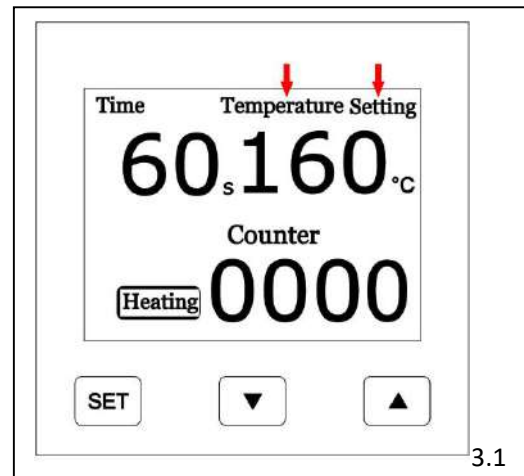
2.1 Switch The System On (figure 2.1)



3.Adjusting the Temperature

3.1 Press the “set” button once time.
“Temperature” lights will illuminate, press the “up” and “down” button to set target start temperature (see figure 3.1)

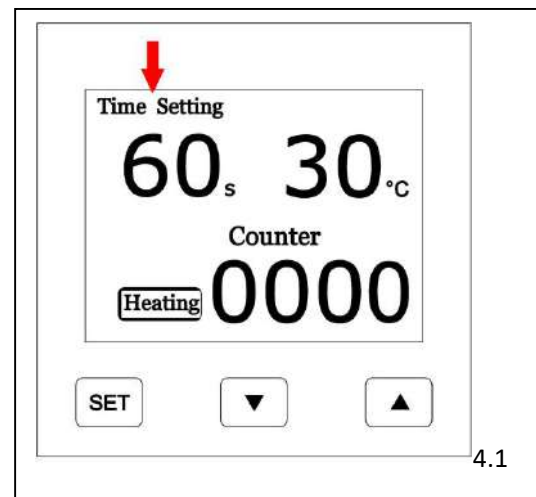
3.2 Press the “set” button second time.
“Setting” lights will illuminate, press the “up” and “down” button to set printing temperature (see figure 3.1)



4.Adjusting the Time

4.1 Once you have adjusted the temperature, press the “set” button again. “Time” lights located in the display will illuminate. (see figure 4.1)

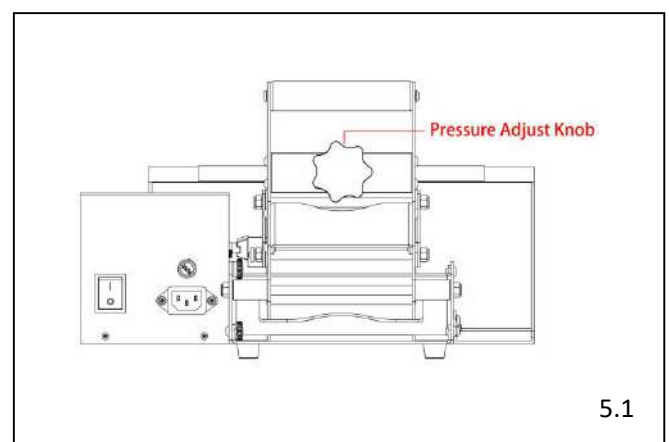
4.2 Next, press the “up” and “down” button to set target printing time. The time setting range can be set from 0~999.



5.Adjusting the Pressure

5.1 The Pressure Adjustment Knob is located as picture.(See figure 5.1)

5.2 Adjust the pressure by turning the knob clockwise to increase pressure and counter clockwise to decrease pressure.



REMEMBER: To allow for the thickness of your garment when adjusting the pressure.

6. Printing And Pressing

- Once your equipment has reached the designated start temperature:
- Position mug and application and proceed to press.
- This procedure will start the automatic timing process.
- Please note machine will heat up from start temperature to printing temperature then time starts to count down.
- The timer will automatically count down to zero then circuit board will alarm when the press cycle is complete.
- The timer will automatically re-set and you are ready to continue with the next application.

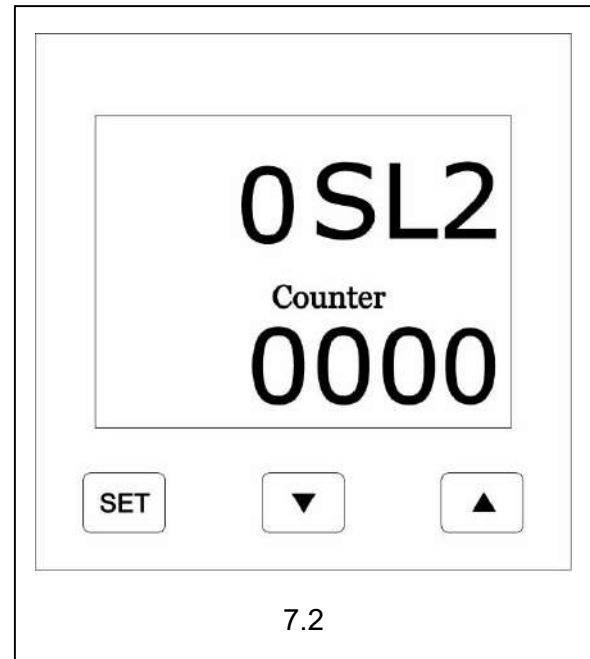
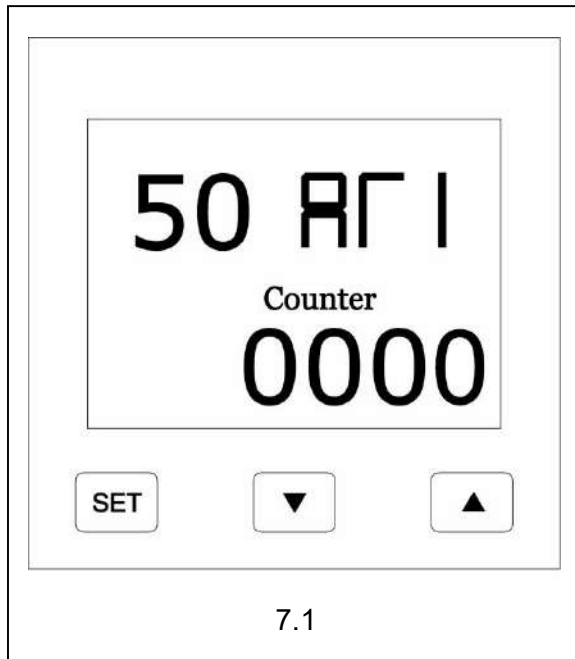
7. Switch Between F/C

7.1 Press “set” button for 4 seconds to enter into second level menu. Display as below. (see figure 7.1)

7.2 Press “set” button to select “SL2” mode (See figure 7.2)

7.3, press up and down button to set value at 0 or 1, 0 for celsius, 1 for Fahrenheit.

7.4 Press “set” button 4 seconds to quit.



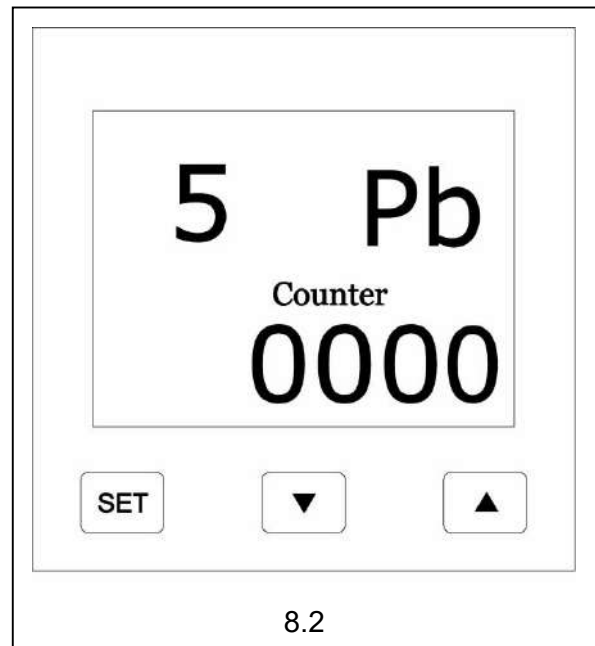
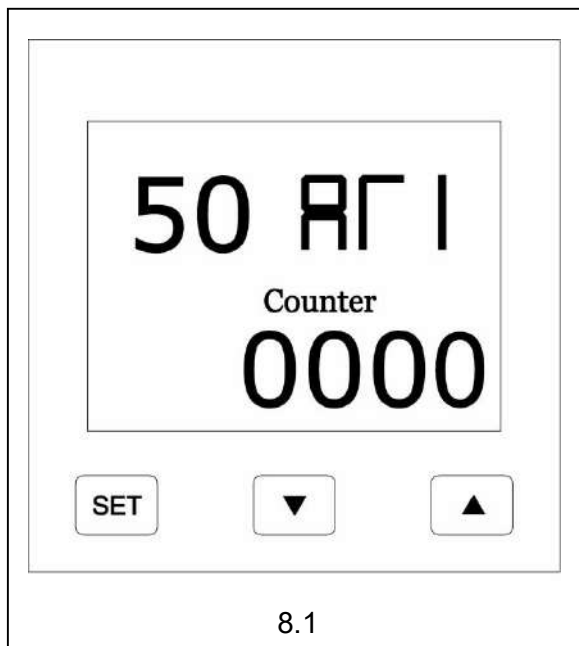
8. Temperature Calibration

8.1 Press “set” button for 4 seconds to enter into second level menu. Display as below. (see figure 8.1)

8.2 Press “set” button to select “Pb” mode (See figure 8.2)

8.3 press “up” and “down” button to make temperature calibration.

8.4 Press “set” button 4 seconds to quit.



if temperature on heater is higher than circuit board shows, pls lower the Pb value.

Example:

Heater temperature: 190C

Circuit board temperature: 185C

Pls set Pb Value at (-5)

If temperature on heater is lower than circuit board shows, pls raise the Pb value.

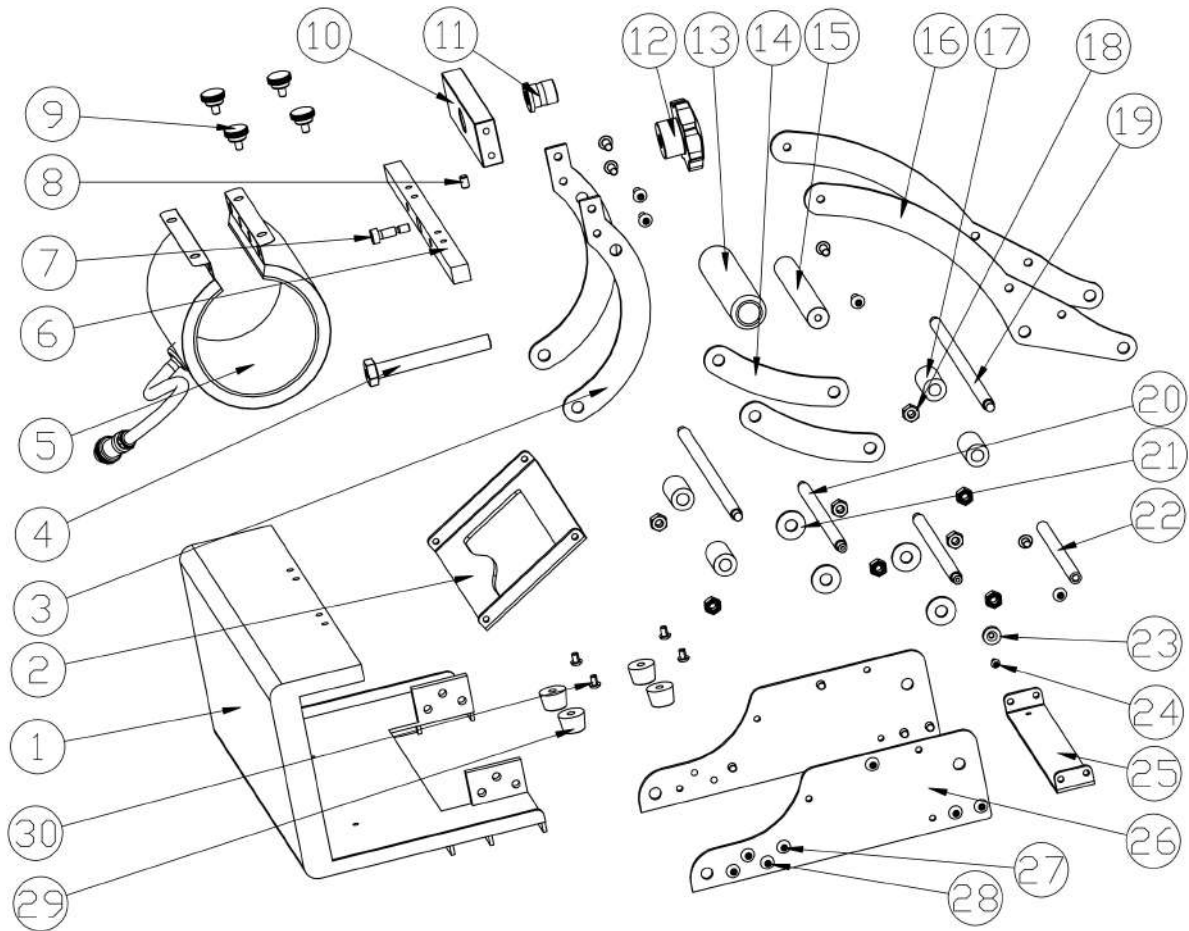
Example:

Heater temperature: 185C

Circuit board temperature: 190C

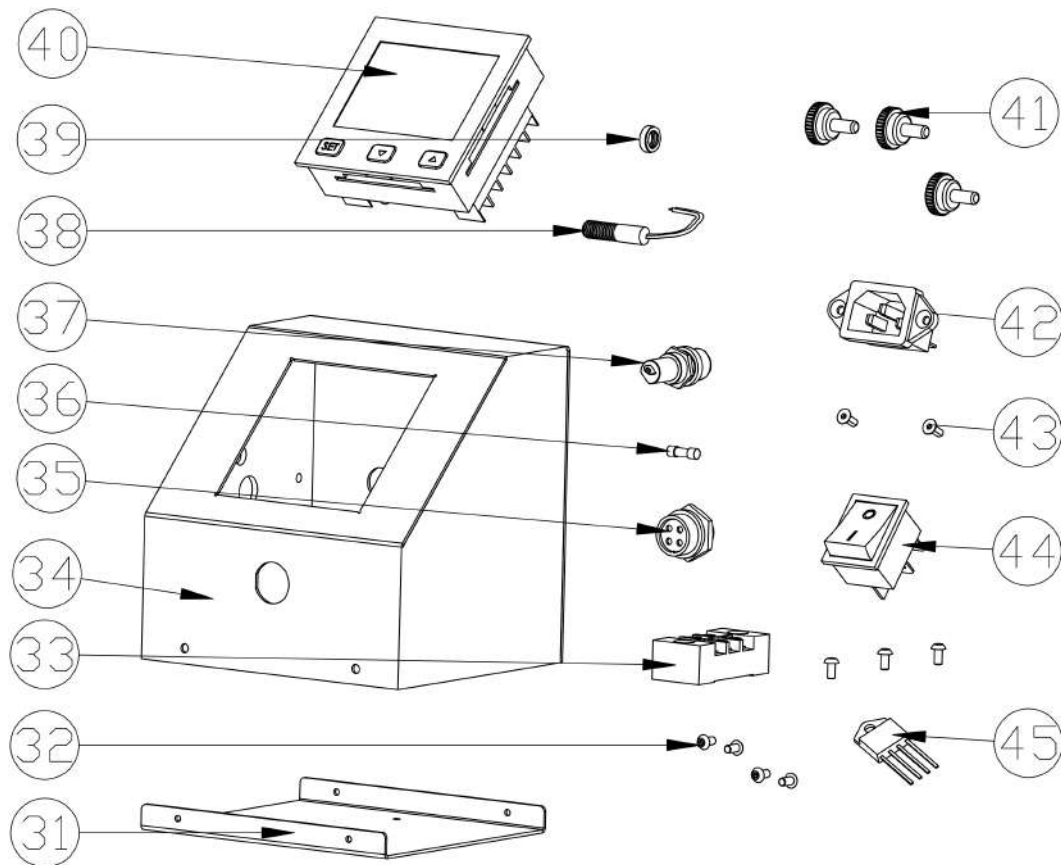
Pls set Pb Value at (+5)

Exploded Views And Parts List



No.	Material No.	Part Name(Chinese)	Part Name(English)	Qty.	Remark
1	J. 03. 05. 0427	前罩壳-乳白	Fornt cover	1	
2	J. 03. 05. 0035	定位支撑板-乳白 DBJ-05	Holding sheet	1	
3	J. 03. 05. 0047	弯连杆-乳白 DBJ-18	curved link	2	
4	J. 03. 05. 0531	主调螺栓 M10*90-205B	Pressure screw	1	
6	J. 03. 05. 0428	热箍活动支架 B-乳白	Heater holding block	1	
7	J. 03. 06. 0142	塞打螺栓-黑 M5-6*12	Shoulder screw black M5-6*12	1	
8	J. 03. 06. 0149	机米螺栓 M5*6	Meter bolt M5*6	1	
9	J. 03. 06. 0032	直纹把手 M5-18-10	Handle screw M5-18-10	4	
10	J. 03. 05. 0045	调压横梁-银色 DBJ-16	Pressure screw holder	1	
11	J. 03. 05. 0046	调压螺纹套 DBJ-17	Threaded sleeve	1	
12	J. 03. 06. 0007	七星把手 A 型 M10-50	Pressure screw knob	1	
13	J. 03. 03. 0005	手柄轴胶套 (内径 14*T5*118mm)	Rubber case	1	
14	J. 03. 05. 0048	直连杆-乳白 DBJ-20	Arm link	2	
15	J. 02. 05. 0001	手柄轴 15-114	Handle shaft	1	
16	J. 03. 05. 0043	手柄连杆-乳白 DBJ-13	Machine arm	2	

17	J. 03. 03. 0006	胶垫圈黑 16-8-28	Nylon washer 16-8-28	4	
18	J. 03. 06. 0009	防松螺母 M6	Nut M6	8	
19	J. 03. 05. 0039	固定轴杆 8-181 DBJ-09	Holding shaft 80-181	2	
20	J. 03. 05. 0036	浮动轴杆 8-128 DBJ-06	Floating shaft 8-128	2	
21	J. 03. 03. 0057	胶垫圈黑 20-8-1.8 TB-44	Nylon washer 20-8-1.8	4	
22	J. 02. 05. 0058	手柄支撑杆-镀铬	Handle holding shaft	1	
23	J. 03. 06. 0023	M3 沉孔磁铁 12*3	M3 magnet 12*3	1	
24	J. 03. 06. 0077	沉头螺栓 M3*8	Countersunk screw M3*8	1	
25	J. 03. 05. 0034	底脚支撑板-乳白 DBJ-04	Foot holding sheet	1	
26	J. 03. 05. 0429	主架侧板 B-乳白	Side body sheetB	2	
27	J. 03. 06. 0076	半圆头螺栓 M5*6	Ball headed bolt M5*6	18	
28	J. 03. 06. 0165	半圆头螺栓 M5*12	Ball headed bolt M5*12	6	
29	J. 03. 03. 0038	脚垫 XD1710-148	Rubber foot	4	
30	J. 03. 06. 0141	半圆头螺栓 M4*6	Ball headed bolt M4*6	4	



No.	Material No.	Part Name(Chinese)	Part Name(English)	Qty.	Remark
31	J. 03. 05. 0040	控制盒底板 DBJ-10	Control box bottom cover	1	
32	J. 03. 06. 0104	半圆头螺栓 M3*6	Ball headed bolt M3*6	7	
33	J. 03. 04. 0078	双排三位栅栏接线排 TB1503L	Terminal block TB1503L	1	
34	J. 03. 05. 0041	控制盒焊接 DBJ-11	Control box	1	
35	J. 02. 04. 0145	航空插头 4 芯 (插座) 公	4 phase plug-female	1	

		母倒装焊线 2 16F-4B-WD			
36	J. 03. 04. 0137	玻璃保险管 5A ϕ 5*20	Shoulder screw black M5-6*12	1	
37	J. 02. 04. 0141	玻璃保险管座装线-12	fuse	1	
38	J. 03. 04. 0093	柱形门磁 (车牙加工) MC-0627	Magnetic switch	1	
39	J. 03. 04. 0094	柱形门磁专用螺母	Magnetic switch nut	1	
40	J. 03. 04. 0148	控制板 GSK-H08	Control board GSK-H08	1	
41	J. 03. 06. 0074	直纹把手 M4-15-8	Handle screw M4-15-8	3	
42	J. 03. 04. 0077	IEC 插座 DB-14-1	socket	1	
43	J. 03. 06. 0077	沉头螺栓 M3*8	Countersunk screw M3*8	2	
44	J. 03. 04. 0079	船型开关 RK1-01	On/off switch	1	
45	J. 02. 04. 0133	可控硅 DX146-11	Traic	1	

Heaters Compatible With GS-205B, Customer can select as their needs.

No.	Material No.	Part Name(Chinese)	Part Name(English)	Remark
1	J. 02. 06. 0021	杯垫-15oz-220V	Mug heater-11oz/15oz-220V	For 11oz/15oz mug
2	J. 02. 06. 0035	杯垫-15oz-110V	Mug heater-11oz/15oz-110V	
3	J. 02. 06. 0022	杯垫-铝壶-220V	Mug heater-alu bottle-220V	For 400/500/600ml aluminum bottle
3	J. 02. 06. 0037	杯垫-铝壶-110V	Mug heater-alu bottle-110V	
4	J. 02. 06. 0038	杯垫-星巴克杯-220V	Mug heater-starbucks mug-220V	For starbucks mug
5	J. 02. 06. 0040	杯垫-星巴克杯-110V	Mug heater-starbucks mug-110V	
6	J. 02. 06. 0039	杯垫-蛋壳杯-220V	Mug heater-egg mug-220V	For egg mug
7	J. 02. 06. 0041	杯垫-蛋壳杯-110V	Mug heater-egg mug-220V	
8	J. 02. 06. 0023	不锈钢保温杯 1-220V	Mug heater-500ml straight cup-220V	For 500ml straight cup
9	J. 02. 06. 0029	不锈钢保温杯 1-110V	Mug heater-500ml straight cup-110V	
10	J. 02. 06. 0024	不锈钢保温杯 2-220V	Mug heater-Portable Stainess Steel Bottle-220V	For Portable Stainess Steel Bottle
11	J. 02. 06. 0030	不锈钢保温杯 2-110V	Mug heater-Portable Stainess Steel Bottle-110V	
12	J. 02. 06. 0025	不锈钢保温杯 3-220V	Mug heater-Thermal Flask-220V	For Thermal Flask
13	J. 02. 06. 0031	不锈钢保温杯 3-110V	Mug heater-Thermal Flask-110v	
14	J. 02. 06. 0026	不锈钢保温杯 4-220V	Mug heater-30oz Stainless Steel Vacuum-220V	For -30oz Stainless Steel Vacuum
15	J. 02. 06. 0032	不锈钢保温杯 4-110V	Mug heater-30oz Stainless Steel Vacuum-110V	
16	J. 02. 06. 0027	不锈钢保温杯 5-220V	Mug heater-500ml Magic Mix Stainess Steel Bottle-220V	For 500ml Magic Mix Stainess Steel Bottle
17	J. 02. 06. 0033	不锈钢保温杯 5-110V	Mug heater-500ml Magic Mix Stainess Steel Bottle-110V	

Electrical Schematic

